



## 2.6 De-palletizing fiber and HDPE drums

BC-AI-05-2018-2.0

### THE CONTEXT

Date of Delivery*	July 2018
Built Location*	USA
Competitors*	-
Application Location	-
Application	Palletizing & depalletizing
Type of «Manipulateur»	Robot
Brand of Robot*	Fanuc R200iC-210
Products Picked	Fiber and HDPE drums Pallets
Kind of Products	Drums
Products characteristics	See below
Palletization Patterns*	-

### OUR SOLUTION

Gripper / Product Range	Custom Gripper
Size of the Gripper	700mm x 700mm
Weight	85 kg
Technology	Check Valve with reverse doughnut in the foam to create a seal on the drums
Foam Thickness*	30mm to seal around drums and pallets
Valve/Port Sensitivity*	10mm PU valves for High Sensitivity
Vacuum Generator	Venturi cartridges
Options	Customer specified imperial fittings and SMC valves

Product Type	DRUMS
Product Size(s)	
21.5 Gallon Fiber	15.5" diam x 27.5" height 50lbs
35 Gallon Fiber	18.5" diam x 31.25 height 110lbs
40 Gallon HDPE	19.3" diam x 36.6" height 110lbs
53 Gallon HDPE	23.2" diam x 33.8 height 110lbs
61 Gallon Fiber	23" diam x 35" height 200lbs

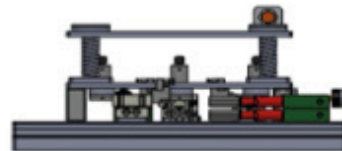
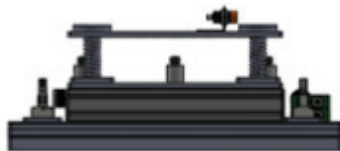
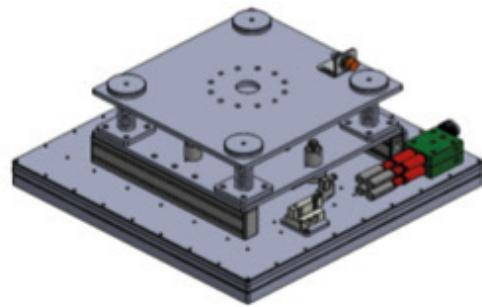
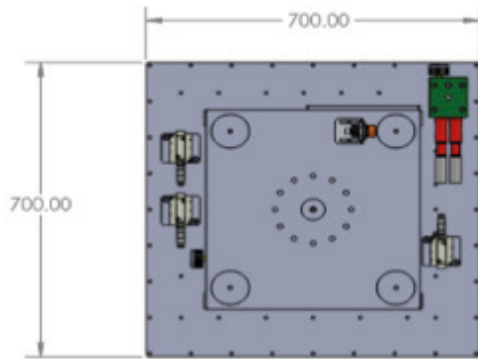
  

Pallet Size(s)	48" x 48" x 5" 4-way
----------------	----------------------



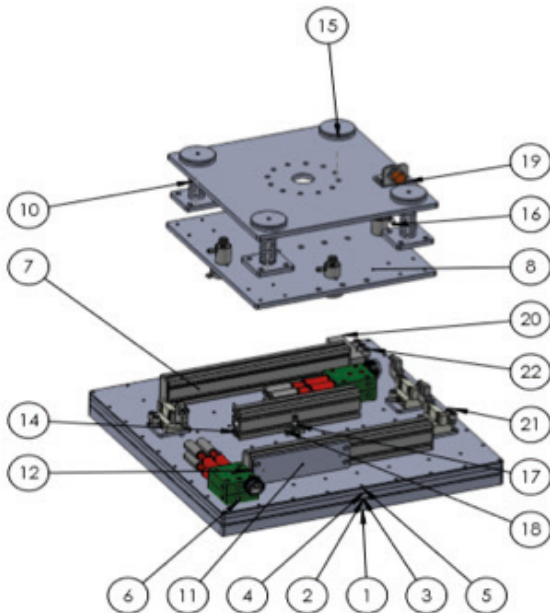
# De-palletizing

fiber and HDPE drums



## THE BENEFITS

**Main Benefits** Turnkey solution all in one for picking the Drums and the Pallets  
**Results** Very good results in terms of product handling



ITEM NO.	PART NUMBER	DESCRIPTION	QTY.
1	11925.700.700.30.US.578	FOAM	1
2	11925.006.003.001	BOTTOM PLATE	1
3	11925.006.004.001	OMEGA	1
4	11925.006.005.001	FRAME	1
5	11925.006.006.001	TOP PLATE	1
6	11925.032.006.001	MANIFOLD ASSY.	2
7	11925.110.013.001	40 X 80 EXTRUSION	2
8	11925.076.003.001	COMP BOTTOM PLATE	1
10	11925.076.006.001	COMP TOP PLATE	1
11	11925.075.031.001	I/O PLATE	1
12	0000.110.000.004	EXTRUSION END CAP	4
13	11925.700.700.30.US	FOAM	1
14	11925.110.013.002	40 X 80 EXTRUSION	1
15	11925.006.001.002	COMPLIANCE ASSY.	8
16	11925.006.001.003	CYLINDER ASSY.	4
17	0000.066.000.007	PNP PRODUCT PRESENCE SENSOR	1
18	0000.070.060.001	Sensor Block	1
19	0000.066.000.001	Inductive Proximity Sensor	1
20	0000.032.030.001	MANIFOLD	1
21	11925.006.001.004	MANIFOLD ASSY.	3
22	0000.029.072.001	3/8 FITTING	3
23	0000.029.072.002	1/2 FITTING	1