



2.2 Depalletizing open top glass & metal jars

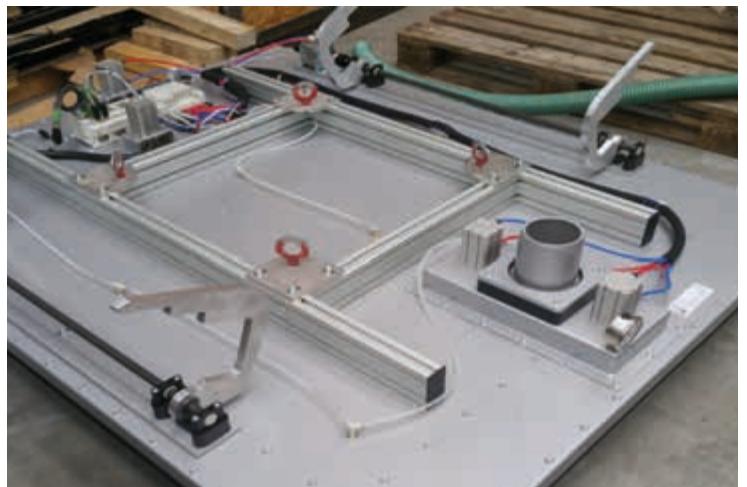
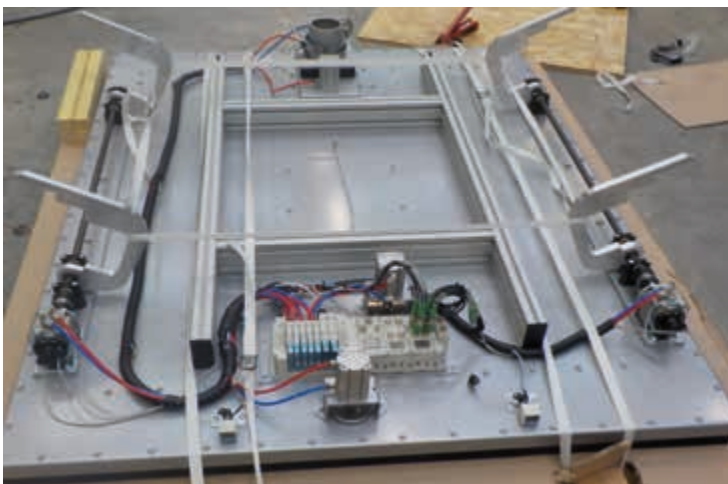
BC-AI-01-2018-2.0

THE CONTEXT

Date of Delivery*	November 2017
Built Location*	France
Competitors*	UNIGRIPPER / SC / MP
Application Location	France
Application	Depalletizing
Type of «Manipulateur»	Robot
Brand of Robot*	Kuka - kr360 450-2pa
Products Picked	Open top glass jars Open top metal cans Interlayers Pallets
Kind of Products	Layers of product Individual interlayer Individual pallet
Products characteristics	Glass jars and metal cans Ø70mm and over Wood pallets 1420x1120 for cans and 1200x1000 for glass jars Interlayers cardboard and plastic
Palletization Patterns*	Drawings next page

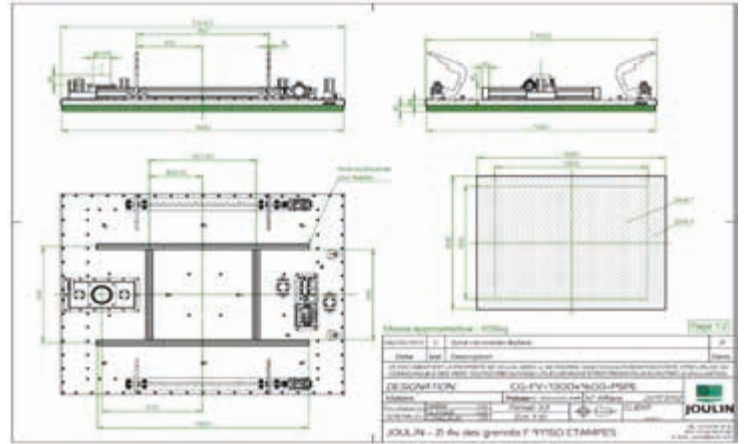
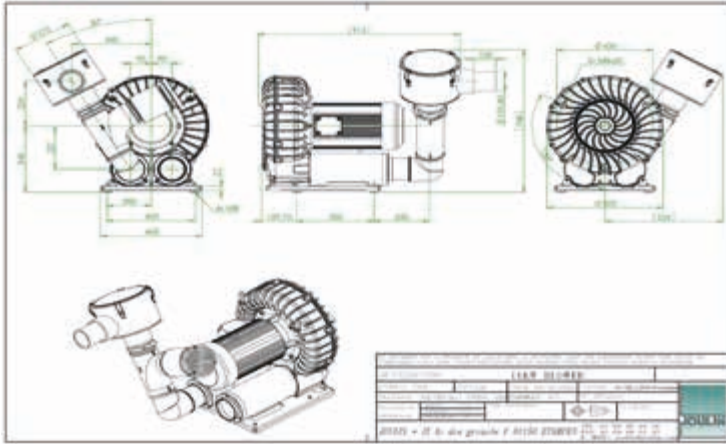
OUR SOLUTION

Gripper / Product Range	Custom gripper
Size of the Gripper	1270x550mm
Weight	120kg
Technology	Valve Gripper
Foam Thickness*	30mm
Valve/Port Sensitivity*	Low sensitive
Vacuum Generator	8.6 kW Blower
Options	18 zones, symmetrical about center of gripper 12 product presence sensors Reserve for zoning and fresh air release Rotating flange Ø80mm for rotation in the last wrist of the robot Ethernet based field bus module for all IO and valving



Depalletizing

open top glass & metal jars



THE BENEFITS

- Main Benefits** Turnkey solution all in one with all the options directly from JOULIN.
- Results** Very good results in terms of product handling.
 Two zones to avoid lose of flow when you handle the glass jars on a smaller layer than cans, reducing the size of the vacuum generator
 Necessity to add a frequency inverter on the blower to adjust level of vacuum depending on the products (specified in the offer).
 Add of the blow off nozzles on the side of the gripper to avoid handling of the interlayer when you handle the products through the channels between the products (specified in the offer).

