



2.7 Palletizing bricks

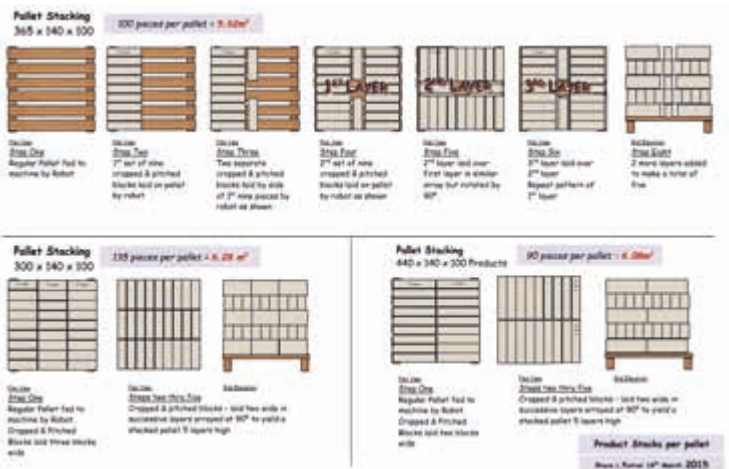
BC-AI-06-2018-2.0

THE CONTEXT

Date of Delivery*	July 2016
Built Location*	France
Competitors*	UNIGRIPPER
Application Location	England
Application	Palletizing
Type of «Manipulateur»	Robot
Brand of Robot*	Fanuc
Products Picked	Bricks
Kind of Products	Row of Products
Products characteristics	365 x 100 x 140 12,25 kg 300 x 100 x 140 10 kg 440 x 100 x 140 14,8 kg
Palletization Patterns*	See Below

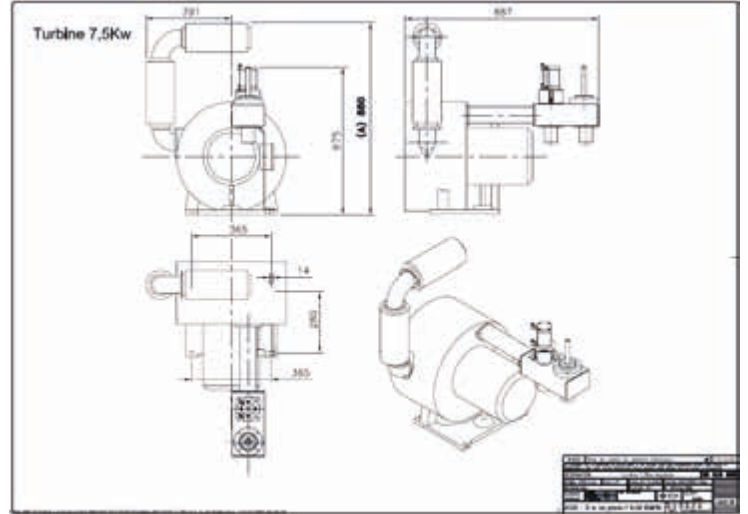
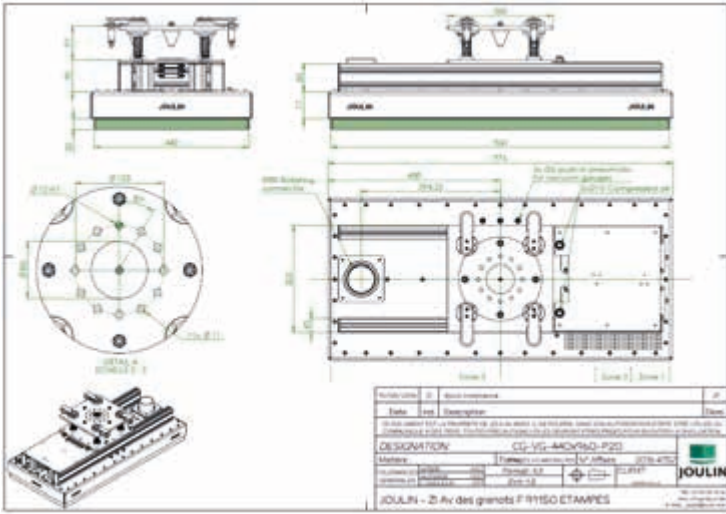
OUR SOLUTION

Gripper / Product Range	Custom gripper
Size of the Gripper	960mm x 440mm
Weight	80 kg
Technology	Valve gripper
Foam Thickness*	40mm
Valve/Port Sensitivity*	P20
Vacuum Generator	7,5 kW Blower
Options	Compliance/anticollision for fast approach on the stack Rotating flange Ø60mm for rotation in the last wrist of the robot 3 independant zones for picking and release Electropneumatic module for centralization of the electrical and mechanical pilots



Palletizing

bricks



THE BENEFITS

- Main Benefits**
- 3 zones with independant for picking an release, necessary for the palletizing pattern
 - Valve system for partial handling
 - Adapted system for different types and breaking products even with multiple release
 - Easy maintenance and 1 connection for electrical and pneumatic connection
- Results**
- System is working for 2 years with great feedback from customer
 - Vacuum gauge system visible

