



ALL INDUSTRIES

# ExtruGrip Vacuum Handling

## Europe

17 avenue des Grenots  
91150 ETAMPES - FRANCE

Tél. +33 (0)1 69 92 16 16  
Fax +33 (0)1 64 94 21 35

## USA

2551 HWY 70 SW - HICKORY  
NC-28602

Phone: +1(828 327 2290  
Fax: +1(828 327 8678



**JOULIN**  
vacuum handling

contact: [grippers@joulin.com](mailto:grippers@joulin.com)

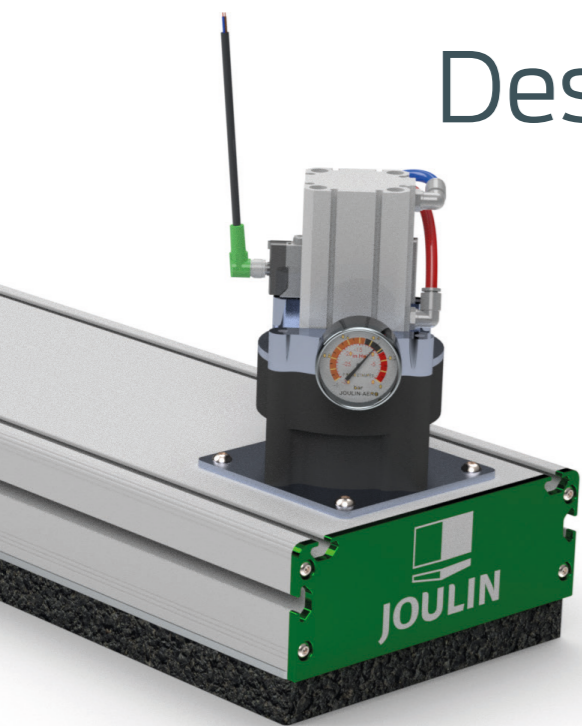
[www.joulin.com](http://www.joulin.com)



# EXTRU GRIP

FOAM VACUUM GRIPPER

## Designed for Modularity



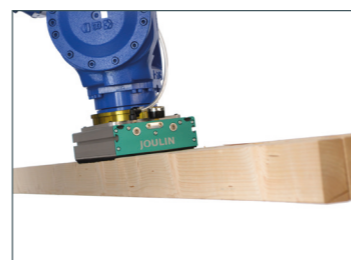
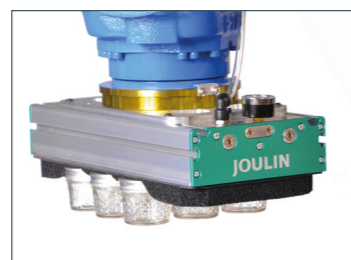
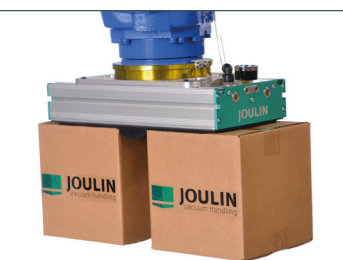
- ✓ All Joulin's technology in an **aluminum profile**
- ✓ **External vacuum** source or internal with **venturi** ejectors
- ✓ Different foam patterns to **fit your application**
- ✓ **Easily adaptable** onto existing equipment
- ✓ **Integrated pick/release module** on EGB version



### EASY TO CUSTOMIZE

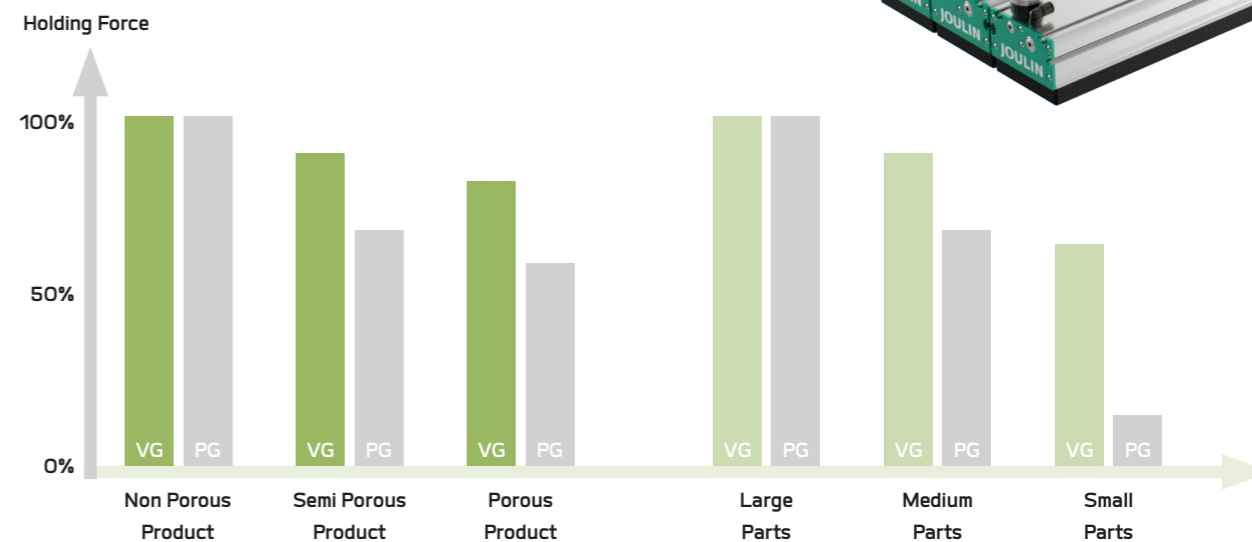
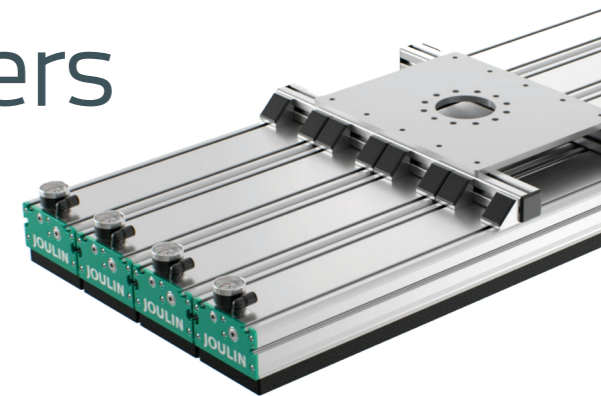
- 2 available technologies: valve or port (calibrated holes)
- Easy to install by fixing into the grooves

- ✓ **Modular** for picking layers of products
- ✓ Adaptable in length up to **3000mm**
- ✓ **Maximum rigidity**
- ✓ Possibility of **partial picking** or releasing of products
- ✓ Simplified adjustment of options in **profile grooves**

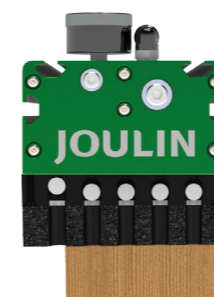


# Adjustable Parameters

Maximize your Gripper Performance



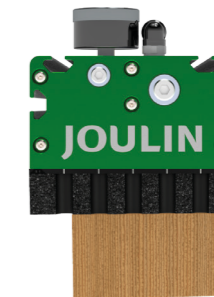
With a low picking surface area the VG technology is better suited as there are no leakage where the gripper is not covered. Valves or calibrated orifices are adjustable to get different sensitivities.



### VALVE GRIPPER (VG)

- Constant vacuum level
- Variable coverage: from single product to complete layer
- Not sensitive to dust
- No filter needed
- Designed for all types of surfaces

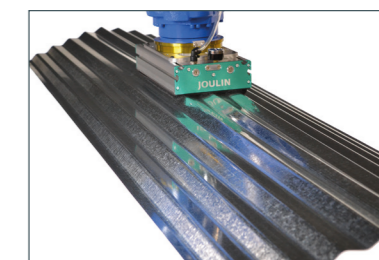
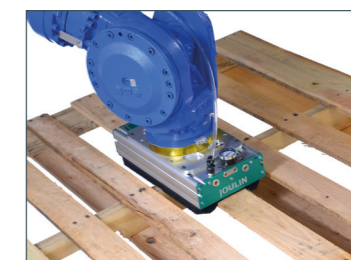
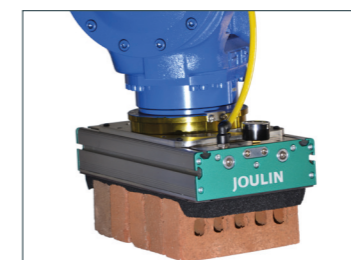
- Rotation of grippers can not exceed 80°
- Vacuum level can not be used as product presence except if a check valve is removed from the gripper



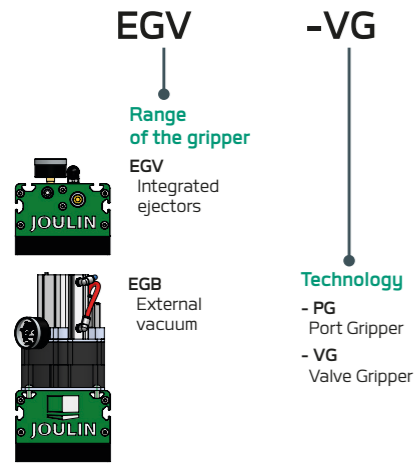
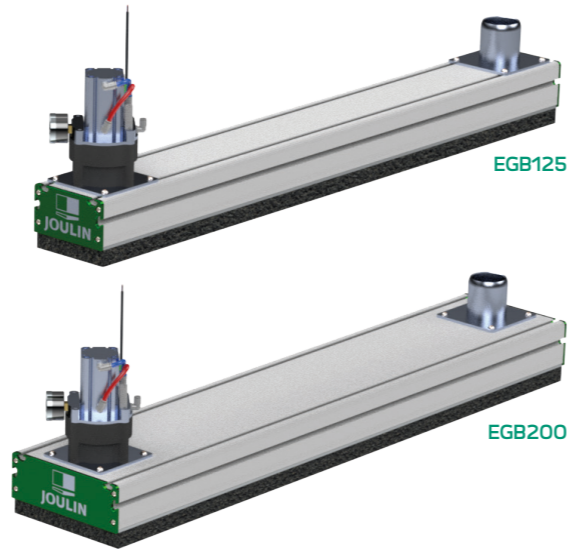
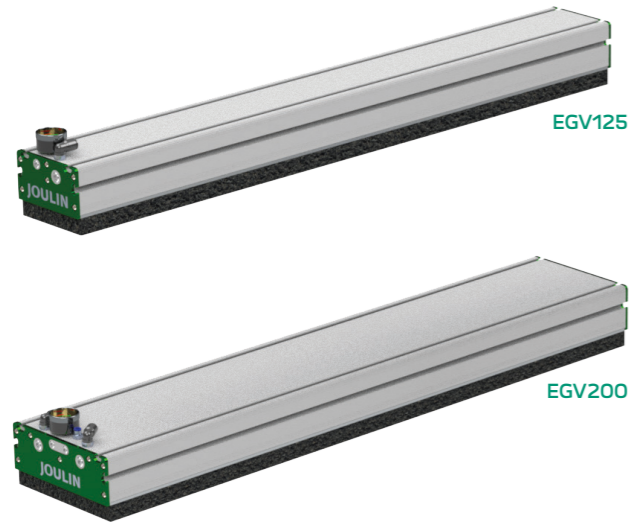
### PORT GRIPPER (PG)

- Grippers can rotate up to 360°
- High speed production rates
- Thin and light weight
- Economical solution

- 80% coverage for optimum work
- Energy consumption compare to valves grippers



# Labeling



**EGV**  
Range of the gripper  
EGV Integrated ejectors

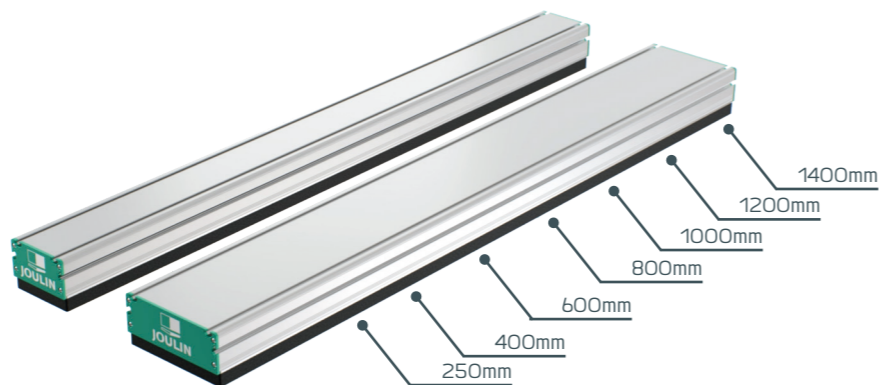
**-VG**  
Technology  
- PG Port Gripper  
- VG Valve Gripper

**-200x800**  
Standards dimensions  
125mm  
- 125x250  
- 125x400  
- 125x600  
- 125x800  
- 125x1000  
- 125x1200  
- 125x1400  
Custom  
- 125x...

200mm  
- 200x250  
- 200x400  
- 200x600  
- 200x800  
- 200x1000  
- 200x1200  
- 200x1400  
Custom  
- 200x...

**-8P35**  
Pitch  
125mm  
- 4P15 15mm  
- 4P30 30mm  
200mm  
- 8P17,5 17.5mm  
- 8P35 35mm

**-3STx4**  
Integrated vacuum source (EGV only)  
- 2ST 2 stages  
- 3ST 3 stages  
x4 number of cartridges



## Technology

### VG

- Independant valves system
- + Constant vacuum level
- + No adjustment needed

### PG

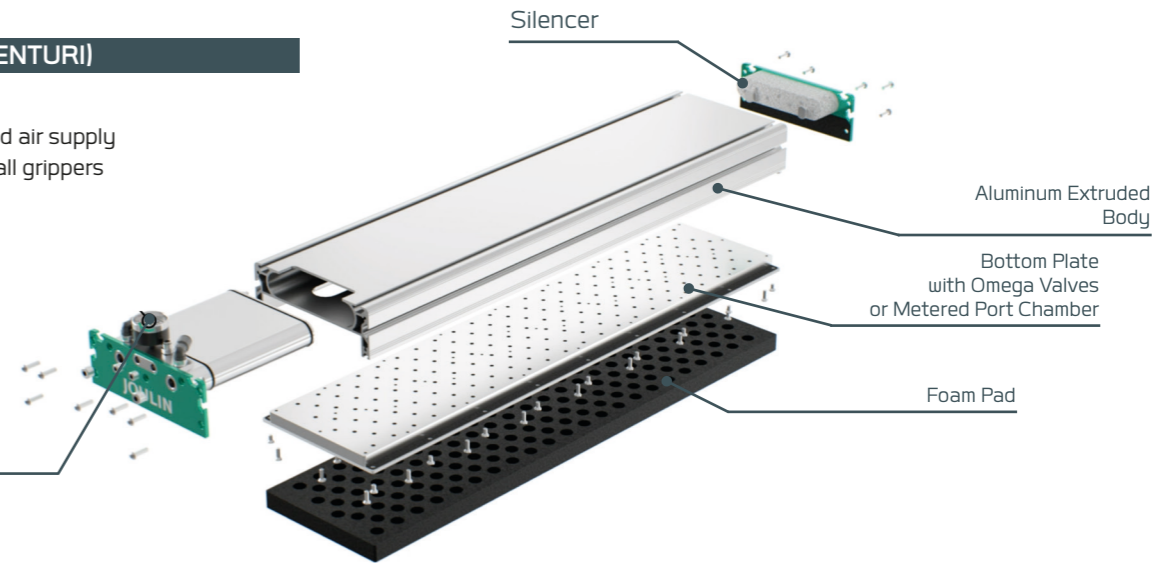
- Calibrated holes system
- + Economical solution
- + High speed production rates

Our grippers are protected by several exclusive brands and patents

### EGV (VENTURI)

- Easy to integrate
- Just need compressed air supply
- Good solution for small grippers

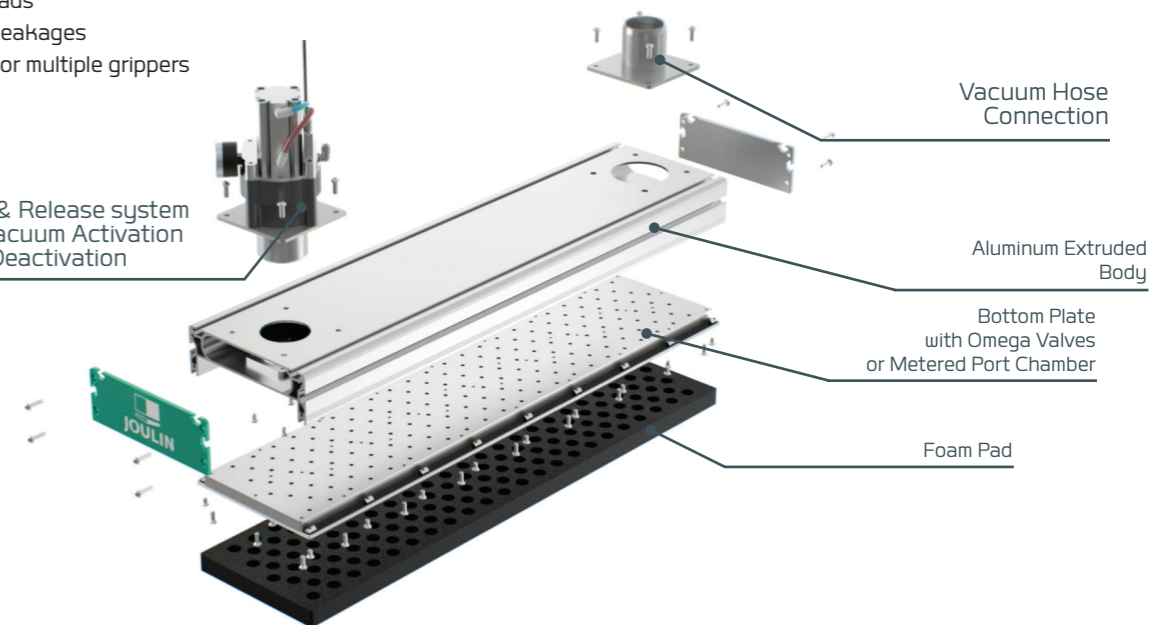
EGV Vacuum Generation By Venturi



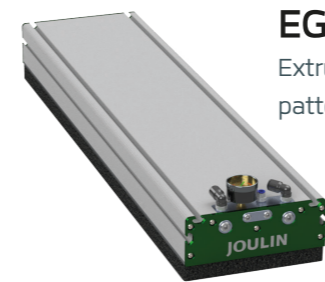
### EGB (BLOWER)

- Life of the foam pads
- Compensation of leakages
- Solution for large or multiple grippers

EGB Pick & Release system for Vacuum Activation and Deactivation



## Examples



### EGV-VG-200x800-8P35-3STx4

ExtruGrip Venturi version, with Check Valves, 200mm width per 800mm length with holes in pitch of 35mm pattern, equipped with 4 Venturi cartridges 3 stages.

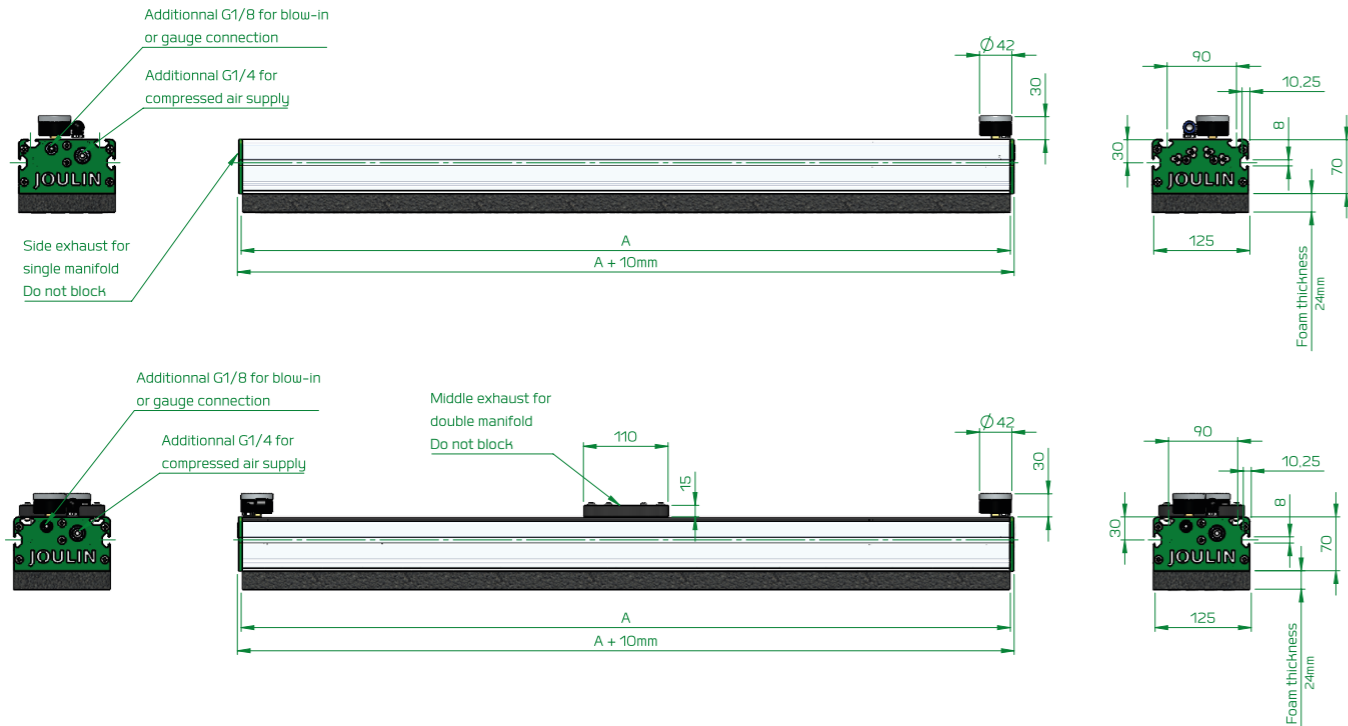
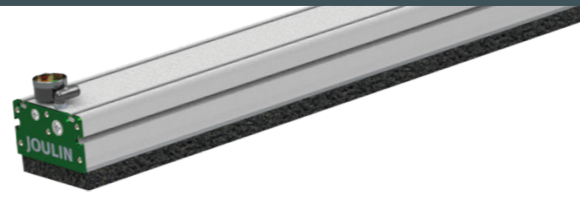
### EGB-PG-125x1400-4P30

ExtruGrip Blower version, with Calibrated Ports, 125mm width per 1400mm length with holes in pitch of 30mm pattern.



# ExtruGrip 125mm

## EGV - Venturi Version



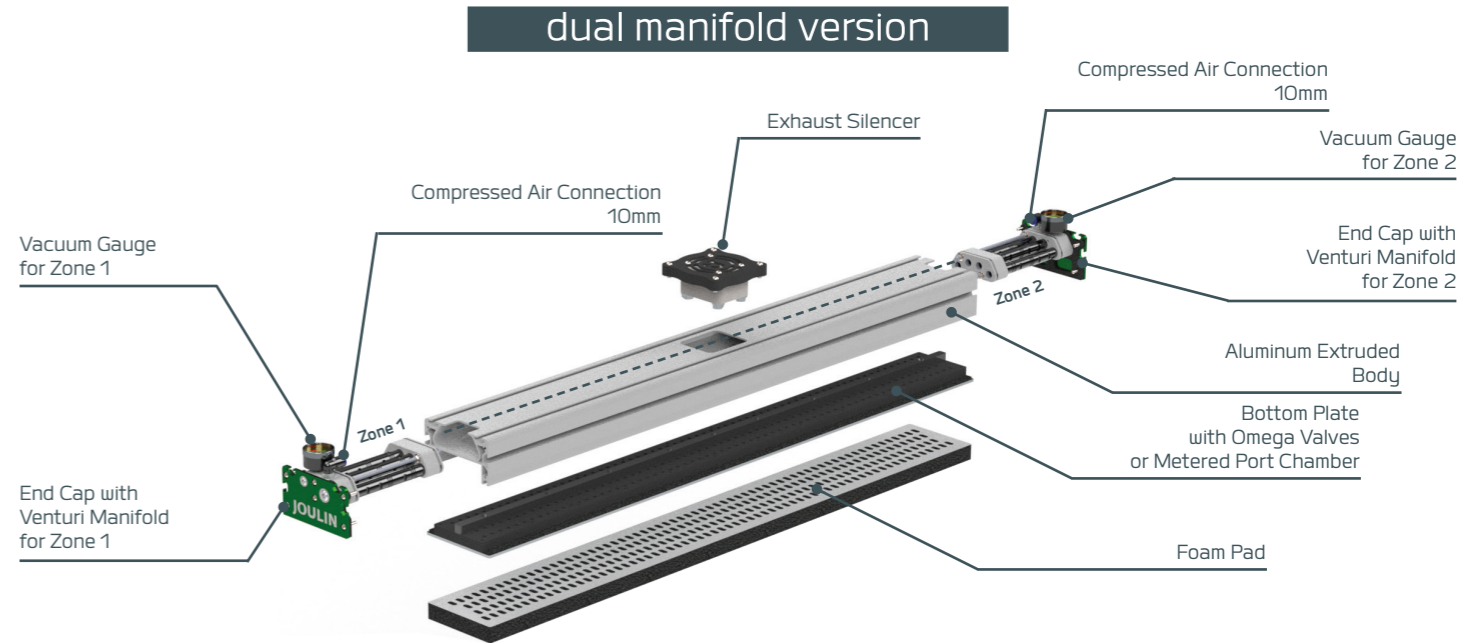
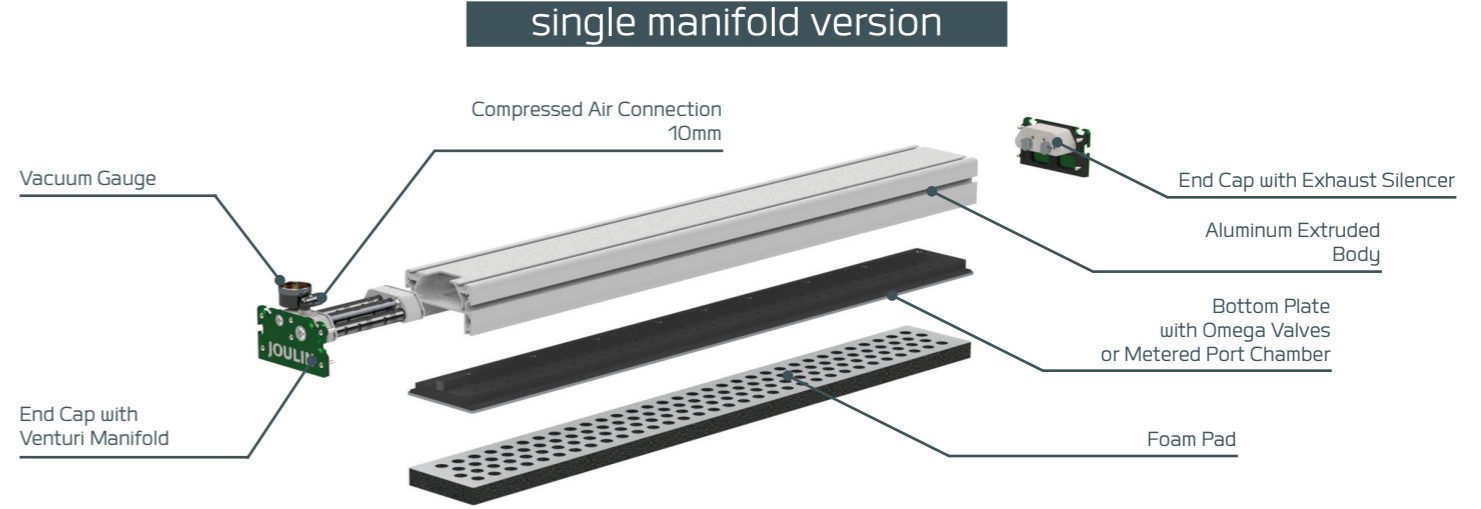
Pitch	Designation	Holes Number	Length A (mm)	Mass (Kg)	Holding Force (N)* -400mBar	Holding Force (N)* -600mBar	Air consumption (NI/s)**	Max flow (NI/s)
4P15	EGV-VG-125x250-4P15-3STx2 <sup>1</sup>	60	250	2.7	343	514	3.5	12
	EGV-VG-125x400-4P15-3STx2 <sup>1</sup>	100	400	3.9	571	857	3.5	12
	EGV-VG-125x600-4P15-3STx3 <sup>1</sup>	150	600	5.4	857	1285	5.25	18
	EGV-VG-125x800-4P15-3STx4 <sup>1</sup>	204	800	6.9	1166	1748	7	24
	EGV-VG-125x1000-4P15-3STx6 <sup>2</sup>	258	1000	9.1	1474	2211	10.5	36
	EGV-VG-125x1200-4P15-3STx6 <sup>2</sup>	308	1200	10.6	1760	2640	10.5	36
	EGV-VG-125x1400-4P15-3STx8 <sup>2</sup>	364	1400	12.2	2080	3119	14	48
	EGV-PG-125x250-4P15-2STx2 <sup>1</sup>	60	250	2.5	274	411	3.5	6.6
	EGV-PG-125x400-4P15-2STx2 <sup>1</sup>	100	400	3.4	457	686	3.5	6.6
	EGV-PG-125x600-4P15-2STx3 <sup>1</sup>	150	600	4.7	686	1028	5.25	9.9
	EGV-PG-125x800-4P15-2STx4 <sup>1</sup>	204	800	6	932	1399	7	13.2
	EGV-PG-125x1000-4P15-2STx4 <sup>1</sup>	258	1000	8	1179	1769	10.5	19.8
	EGV-PG-125x1200-4P15-2STx6 <sup>2</sup>	308	1200	9.3	1408	2112	10.5	19.8
	EGV-PG-125x1400-4P15-2STx8 <sup>2</sup>	364	1400	10.6	1664	2496	14	26.4

\* Theoretical capacities on rigid and airtight products.  
 \*\* Data measured at 6 bar of feed pressure  
 Specifications are subject to change

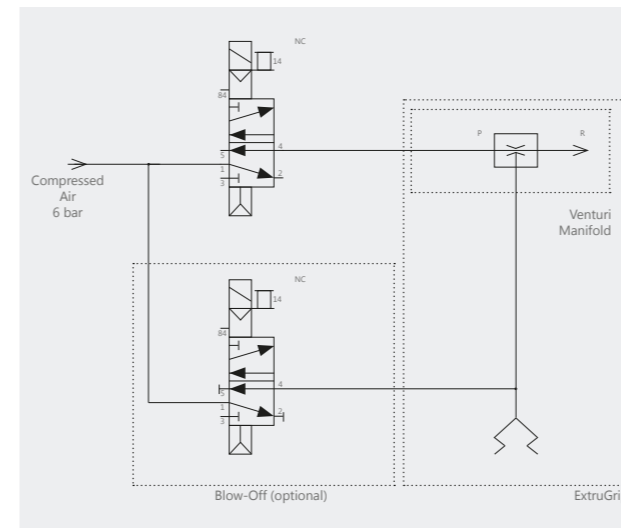
<sup>1</sup> Single manifold version  
<sup>2</sup> Dual manifold version

Pitch	Designation	Holes Number	Length A (mm)	Mass (Kg)	Holding Force (N)* -400mBar	Holding Force (N)* -600mBar	Air consumption (NI/s)**	Max flow (NI/s)
4P30	EGV-VG-125x250-4P30-3STx1 <sup>1</sup>	28	250	2.7	285	428	1.75	6
	EGV-VG-125x400-4P30-3STx1 <sup>1</sup>	48	400	3.9	489	733	1.75	6
	EGV-VG-125x600-4P30-3STx2 <sup>1</sup>	74	600	5.4	753	1130	3.5	12
	EGV-VG-125x800-4P30-3STx2 <sup>1</sup>	102	800	6.9	1038	1557	3.5	12
	EGV-VG-125x1000-4P30-3STx2 <sup>1</sup>	128	1000	8.4	1303	1954	5.25	18
	EGV-VG-125x1200-4P30-3STx4 <sup>1</sup>	154	1200	9.9	1568	2351	7	24
	EGV-VG-125x1400-4P30-3STx4 <sup>1</sup>	182	1400	11.4	1853	2779	7	24
	EGV-PG-125x250-4P30-2STx1 <sup>1</sup>	28	250	2.5	228	342	1.75	3.3
	EGV-PG-125x400-4P30-2STx1 <sup>1</sup>	48	400	3.4	391	586	1.75	3.3
	EGV-PG-125x600-4P30-2STx2 <sup>1</sup>	74	600	4.7	603	904	3.5	6.6
	EGV-PG-125x800-4P30-2STx2 <sup>1</sup>	102	800	6	831	1246	3.5	6.6
	EGV-PG-125x1000-4P30-2STx2 <sup>1</sup>	128	1000	7.2	1042	1563	5.25	9.9
	EGV-PG-125x1200-4P30-2STx4 <sup>1</sup>	154	1200	8.5	1254	1881	7	13.2
	EGV-PG-125x1400-4P30-2STx4 <sup>1</sup>	182	1400	9.8	1482	2223	7	13.2

## Exploded View



## Pneumatical Control

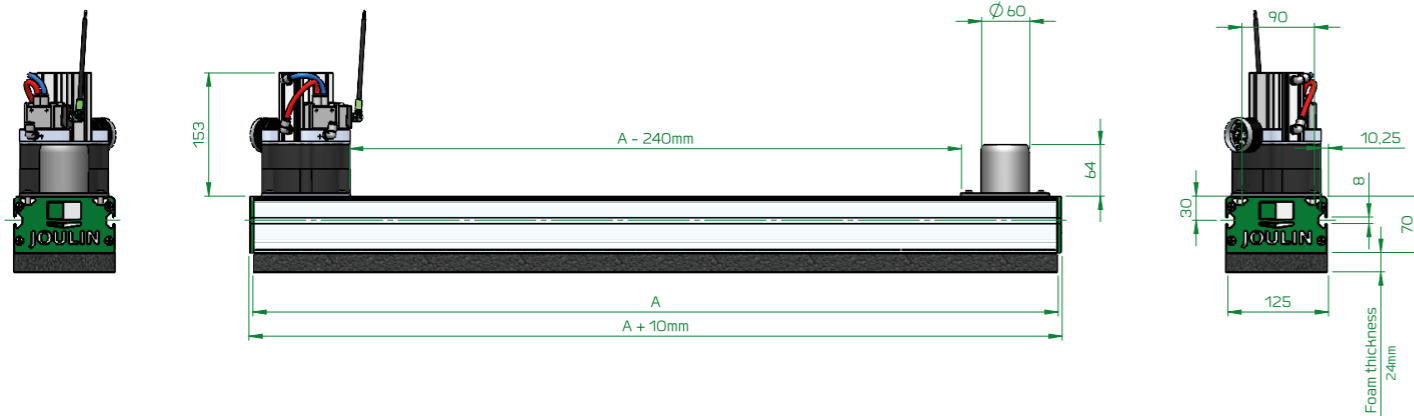


## Spare Parts

Foam Pad (EGV - EGB)	4P15	250	EGF.125.250.24.US.60
		400	EGF.125.400.24.US.100
		600	EGF.125.600.24.US.150
		800	EGF.125.800.24.US.204
		1000	EGF.125.1000.24.US.258
		1200	EGF.125.1200.24.US.308
Manifold O-rings (EGV)	4P30	250	EGF.125.250.24.US.28
		400	EGF.125.400.24.US.48
		600	EGF.125.600.24.US.74
		800	EGF.125.800.24.US.102
		1000	EGF.125.800.24.US.128
		1200	EGF.125.1200.24.US.154
		1400	EGF.125.1400.24.US.182
		Ø2.62 / Øint 58.42	
		Item number: 25_004_00095	

# ExtruGrip 125mm

## EGB - Blower Version



Pitch	Designation	Holes Number	Length A (mm)	Masse (Kg)	Holding Force (N)* -380mBar	Recommended vacuum flow (m3/h at -380mbar)	Recommended vacuum flow (m3/h at atm)
4P15	EGB-VG-125x250-4P15	60	250	3.1	326	14	20
	EGB-VG-125x400-4P15	100	400	4.3	543	23	33
	EGB-VG-125x600-4P15	150	600	5.8	814	35	50
	EGB-VG-125x800-4P15	204	800	7.3	1107	47	67
	EGB-VG-125x1000-4P15	258	1000	8.8	1400	59	85
	EGB-VG-125x1200-4P15	308	1200	10.3	1672	70	102
	EGB-VG-125x1400-4P15	364	1400	11.8	1976	83	120
	EGB-PG-125x250-4P15	60	250	2.9	261	14	20
	EGB-PG-125x400-4P15	100	400	3.8	434	23	33
	EGB-PG-125x600-4P15	150	600	5.1	651	35	50
	EGB-PG-125x800-4P15	204	800	6.4	886	47	67
	EGB-PG-125x1000-4P15	258	1000	7.7	1120	59	85
	EGB-PG-125x1200-4P15	308	1200	9	1337	70	102
	EGB-PG-125x1400-4P15	364	1400	10.3	1581	83	120

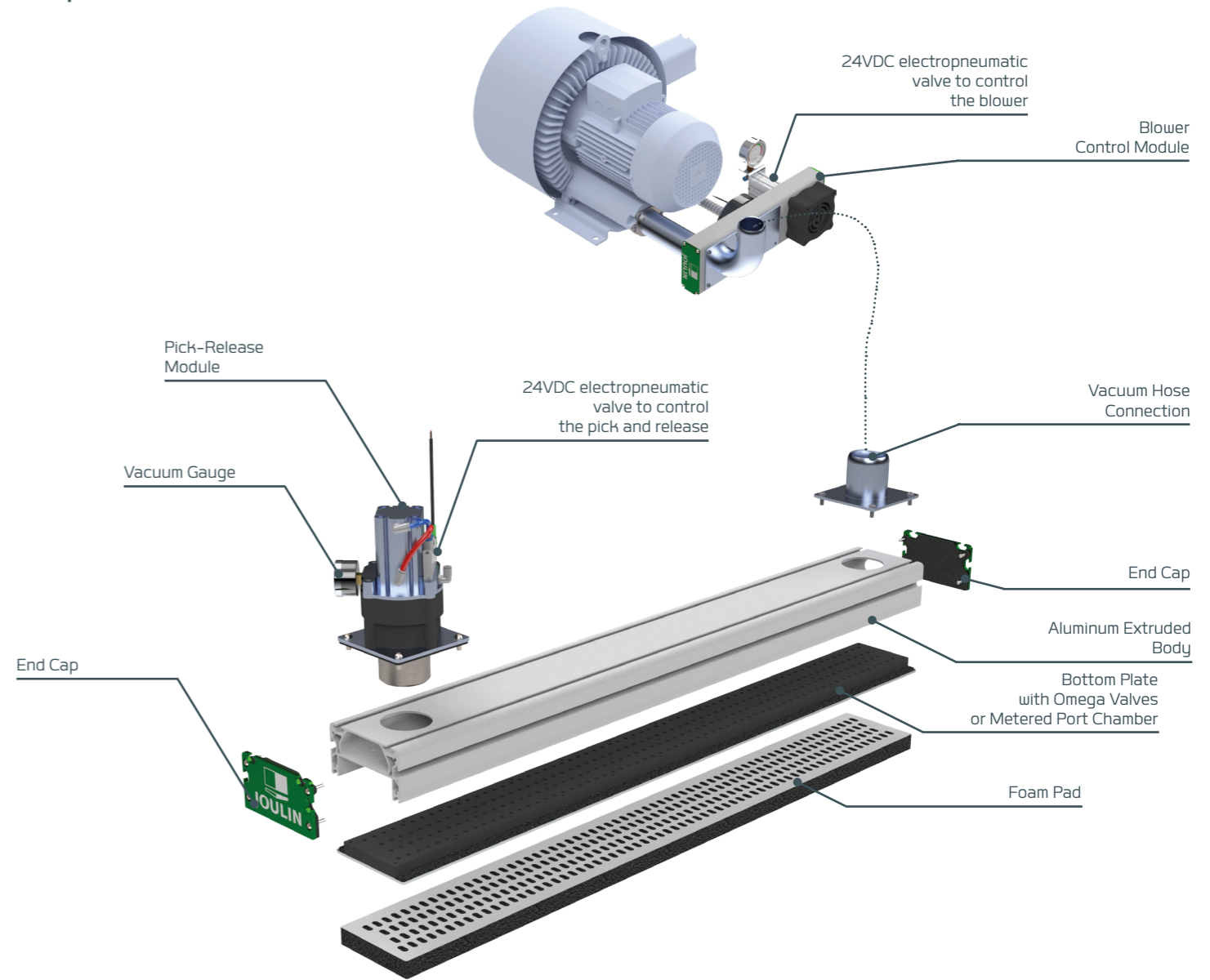
\* Theoretical capacities on rigid and airtight products.

\*\* Data mesured at 6 bar of feed pressure

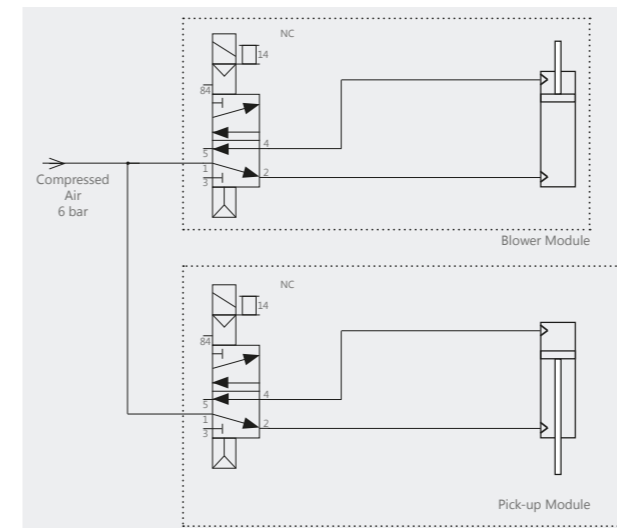
Specifications are subject to change

Pitch	Designation	Holes Number	Length A (mm)	Masse (Kg)	Holding Force (N)* -380mBar	Recommended vacuum flow (m3/h at -380mbar)	Recommended vacuum flow (m3/h at atm)
4P30	EGB-VG-125x250-4P30	28	250	3.1	271	7	9
	EGB-VG-125x400-4P30	48	400	4.3	464	11	16
	EGB-VG-125x600-4P30	74	600	5.8	716	17	24
	EGB-VG-125x800-4P30	102	800	7.3	986	24	34
	EGB-VG-125x1000-4P30	128	1000	8.8	1238	30	42
	EGB-VG-125x1200-4P30	154	1200	10.3	1489	35	51
	EGB-VG-125x1400-4P30	182	1400	11.8	1760	42	60
	EGB-PG-125x250-4P30	28	250	2.9	217	7	9
	EGB-PG-125x400-4P30	48	400	3.8	371	11	16
	EGB-PG-125x600-4P30	74	600	5.1	572	17	24
	EGB-PG-125x800-4P30	102	800	6.4	789	24	34
	EGB-PG-125x1000-4P30	128	1000	7.7	990	30	42
	EGB-PG-125x1200-4P30	154	1200	9	1191	35	51
	EGB-PG-125x1400-4P30	182	1400	10.3	1408	42	60

## Exploded View



## Pneumtical Control

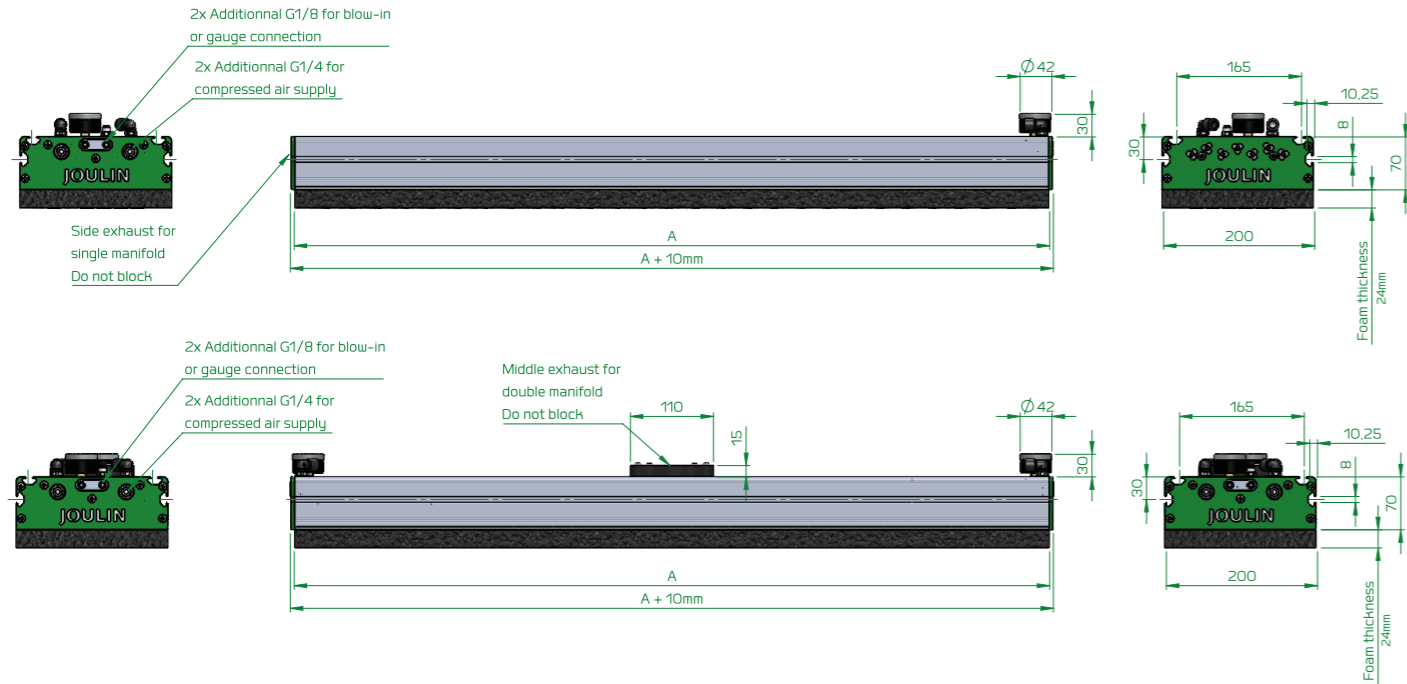
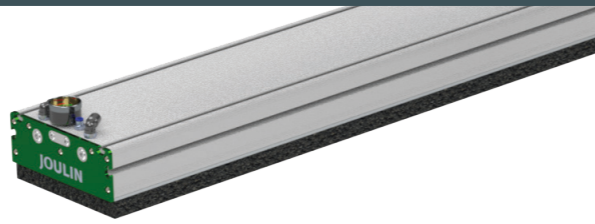


## Spare Parts

Foam Pad (EGV - EGB)	Pitch	Length A (mm)	Designation
			EGF.125.250.24.US.60
4P15	4P15	250	EGF.125.250.24.US.60
		400	EGF.125.400.24.US.100
		600	EGF.125.600.24.US.150
		800	EGF.125.800.24.US.204
		1000	EGF.125.1000.24.US.258
		1200	EGF.125.1200.24.US.308
4P30	4P30	250	EGF.125.250.24.US.28
		400	EGF.125.400.24.US.48
		600	EGF.125.600.24.US.74
		800	EGF.125.800.24.US.102
		1000	EGF.125.800.24.US.128
		1200	EGF.125.1200.24.US.154
		1400	EGF.125.1400.24.US.182

# ExtruGrip 200mm

## EGV - Venturi Version



Pitch	Designation	Holes Number	Length A (mm)	Mass (Kg)	Holding Force (N)* -400mBar	Holding Force (N)* -600mBar	Air consumption (NI/s)**	Max flow (NI/s)
BP17.5	EGV-VG-200x250-BP17.5-3STx2 <sup>1</sup>	100	250	4.3	571	857	3.5	12
	EGV-VG-200x400-BP17.5-3STx4 <sup>1</sup>	168	400	5.9	960	1440	7	24
	EGV-VG-200x600-BP17.5-3STx5 <sup>1</sup>	260	600	8.1	1485	2228	8.75	30
	EGV-VG-200x800-BP17.5-3STx7 <sup>1</sup>	346	800	10.3	1977	2965	12.25	42
	EGV-VG-200x1000-BP17.5-3STx10 <sup>2</sup>	440	1000	13.9	2514	3771	17.5	60
	EGV-VG-200x1200-BP17.5-3STx10 <sup>2</sup>	532	1200	16.1	3039	4559	17.5	60
	EGV-VG-200x1400-BP17.5-3STx12 <sup>2</sup>	624	1400	18.3	3565	5348	21	72
	EGV-PG-200x250-BP17.5-2STx2 <sup>1</sup>	100	250	3.7	457	686	3.5	6.6
	EGV-PG-200x400-BP17.5-2STx4 <sup>1</sup>	168	400	5	768	1152	7	13.2
	EGV-PG-200x600-BP17.5-2STx5 <sup>1</sup>	260	600	6.8	1188	1783	8.75	16.5
EGV-PG-200x800-BP17.5-2STx7 <sup>1</sup>	346	800	8.5	1581	2372	12.25	23.1	
EGV-PG-200x1000-BP17.5-2STx10 <sup>2</sup>	440	1000	11.6	2011	3017	17.5	33	
EGV-PG-200x1200-BP17.5-2STx10 <sup>2</sup>	532	1200	13.4	2432	3647	17.5	33	
EGV-PG-200x1400-BP17.5-2STx12 <sup>2</sup>	624	1400	15.1	2852	4278	21	39.6	

\* Theoretical capacities on rigid and airtight products.

\*\* Data measured at 6 bar of feed pressure

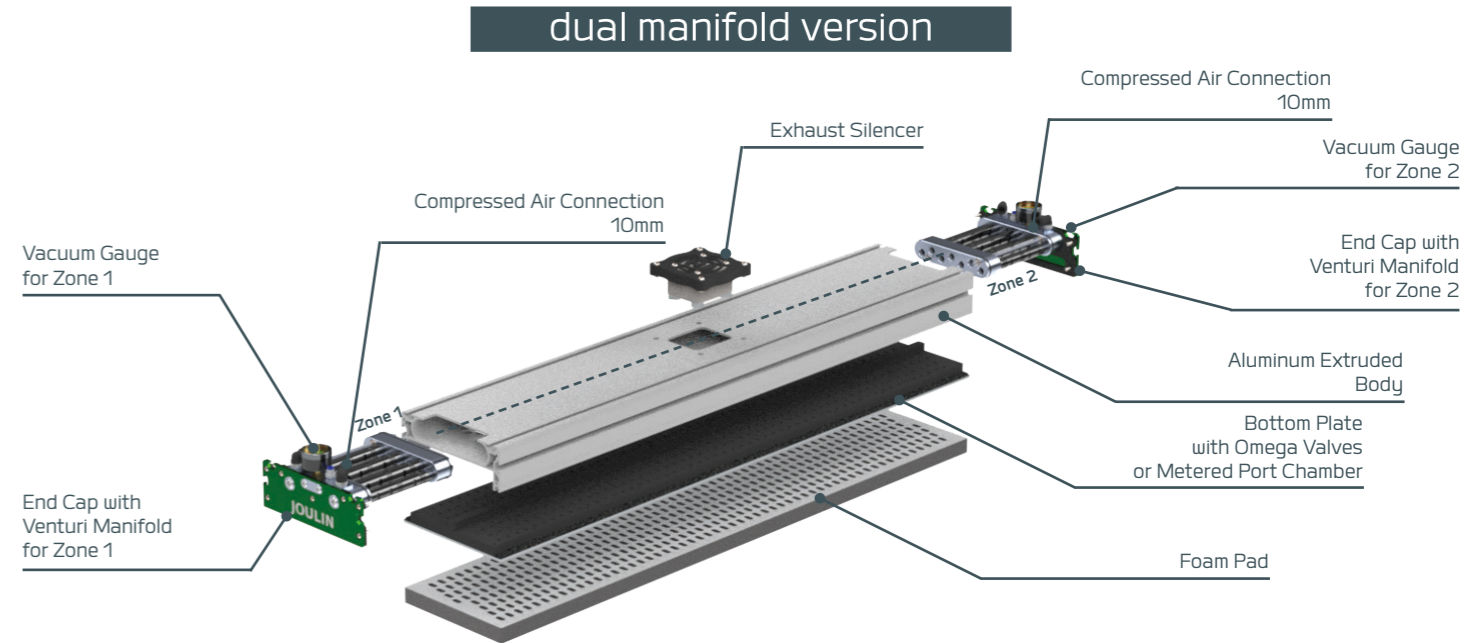
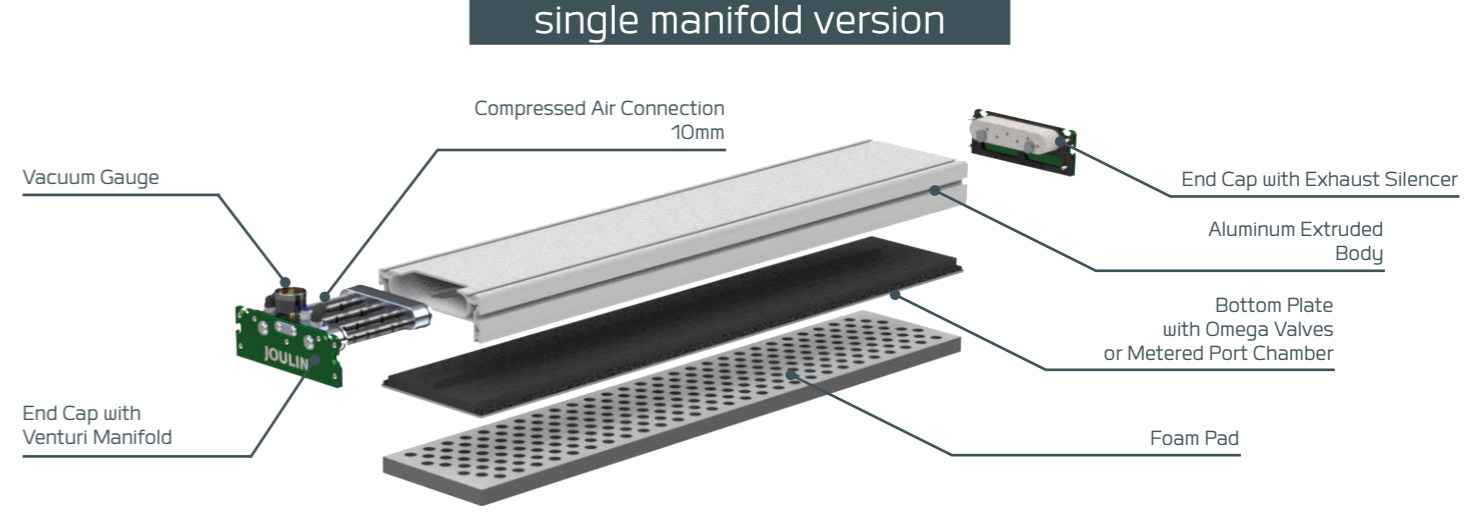
Specifications are subject to change

<sup>1</sup> Single manifold version

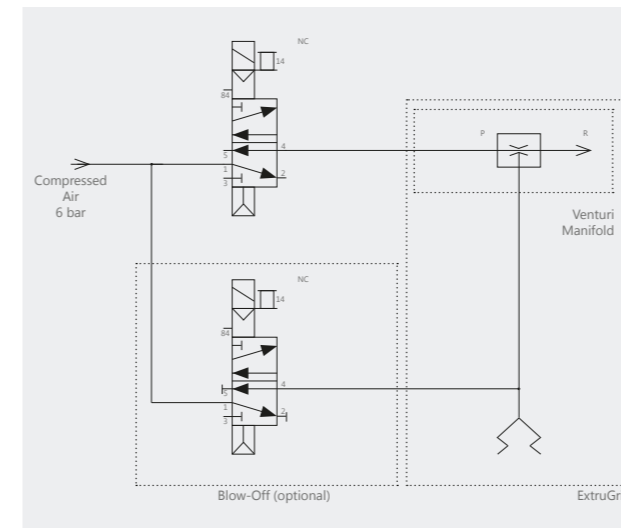
<sup>2</sup> Dual manifold version

Pitch	Designation	Holes Number	Length A (mm)	Mass (Kg)	Holding Force (N)* -400mBar	Holding Force (N)* -600mBar	Air consumption (NI/s)**	Max flow (NI/s)
BP35	EGV-VG-200x250-BP35-3STx1 <sup>1</sup>	50	250	4.3	509	763	1.75	6
	EGV-VG-200x400-BP35-3STx2 <sup>1</sup>	84	400	5.9	855	1283	3.5	12
	EGV-VG-200x600-BP35-3STx3 <sup>1</sup>	130	600	8.1	1323	1985	5.25	18
	EGV-VG-200x800-BP35-3STx4 <sup>1</sup>	174	800	10.3	1771	2657	7	24
	EGV-VG-200x1000-BP35-3STx5 <sup>1</sup>	218	1000	12.5	2219	3328	8.75	30
	EGV-VG-200x1200-BP35-3STx5 <sup>1</sup>	266	1200	14.7	2708	4061	8.75	30
	EGV-VG-200x1400-BP35-3STx6 <sup>1</sup>	312	1400	16.9	3176	4764	10.5	36
	EGV-PG-200x250-BP35-2STx1 <sup>1</sup>	50	250	3.7	407	611	1.75	3.3
	EGV-PG-200x400-BP35-2STx2 <sup>1</sup>	84	400	5	684	1026	3.5	6.6
	EGV-PG-200x600-BP35-2STx3 <sup>1</sup>	130	600	6.8	1059	1588	5.25	9.9
EGV-PG-200x800-BP35-2STx4 <sup>1</sup>	174	800	8.5	1417	2125	7	13.2	
EGV-PG-200x1000-BP35-2STx5 <sup>1</sup>	218	1000	10.3	1775	2663	8.75	16.5	
EGV-PG-200x1200-BP35-2STx5 <sup>1</sup>	266	1200	12	2166	3249	8.75	16.5	
EGV-PG-200x1400-BP35-2STx6 <sup>1</sup>	312	1400	13.8	2541	3811	10.5	19.8	

## Exploded View



## Pneumatical Control

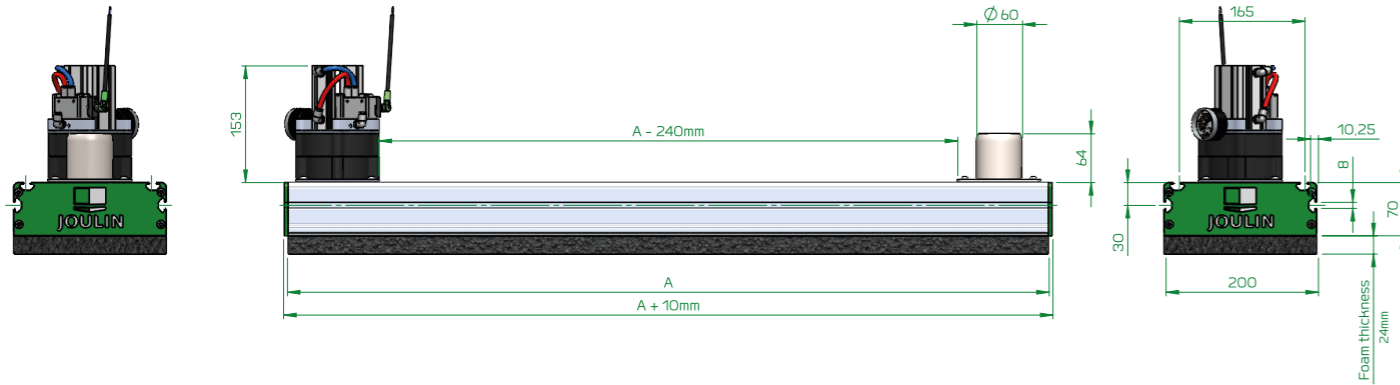


## Spare Parts

Foam Pad (EGV - EGB)	BP17.5	250	EGF.200.250.24.US.100
		400	EGF.200.400.24.US.168
		600	EGF.200.600.24.US.260
		800	EGF.200.800.24.US.346
		1000	EGF.200.1000.24.US.440
		1200	EGF.200.1200.24.US.532
Manifold O-rings (EGV)	BP35	1400	EGF.200.1400.24.US.624
		250	EGF.200.250.24.US.50
		400	EGF.200.400.24.US.84
		600	EGF.200.600.24.US.130
		800	EGF.200.800.24.US.174
		1000	EGF.200.1000.24.US.174
		1200	EGF.200.1200.24.US.218
		1400	EGF.200.1400.24.US.312
		Ø2.62 / Øint 94.93	
		Item number: 25_004_00094	

# ExtruGrip 200mm

## EGB - Blower Version



Pitch	Designation	Holes Number	Length A (mm)	Mass (Kg)	Holding Force (N)* -380mBar	Recommended vacuum flow (m <sup>3</sup> /h at -380mbar)	Recommended vacuum flow (m <sup>3</sup> /h at atm)
8P17.5	EGB-VG-200x250-8P17.5	100	250	4.4	543	23	33
	EGB-VG-200x400-8P17.5	168	400	6.1	912	39	55
	EGB-VG-200x600-8P17.5	260	600	8.4	1411	59	86
	EGB-VG-200x800-8P17.5	346	800	10.6	1878	79	114
	EGB-VG-200x1000-8P17.5	440	1000	12.9	2388	100	145
	EGB-VG-200x1200-8P17.5	532	1200	15.1	2887	121	176
	EGB-VG-200x1400-8P17.5	624	1400	17.4	3387	142	206
	EGB-PG-200x250-8P17.5	100	250	3.9	434	23	33
	EGB-PG-200x400-8P17.5	168	400	5.2	729	39	55
	EGB-PG-200x600-8P17.5	260	600	7	1129	59	86
	EGB-PG-200x800-8P17.5	346	800	8.8	1502	79	114
	EGB-PG-200x1000-8P17.5	440	1000	10.6	1911	100	145
	EGB-PG-200x1200-8P17.5	532	1200	12.4	2310	121	176
	EGB-PG-200x1400-8P17.5	624	1400	14.2	2709	142	206

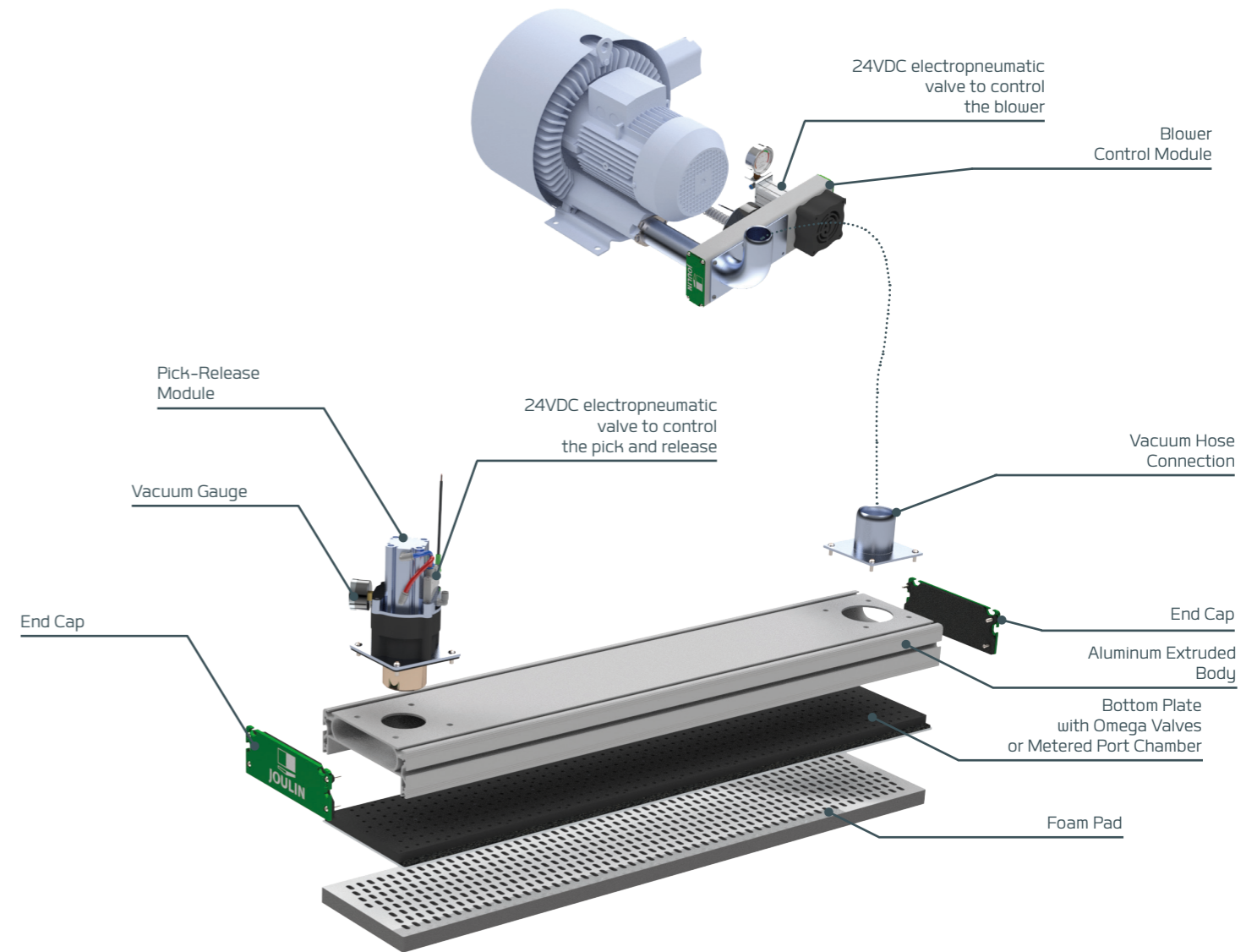
\* Theoretical capacities on rigid and airtight products.

\*\* Data measured at 6 bar of feed pressure

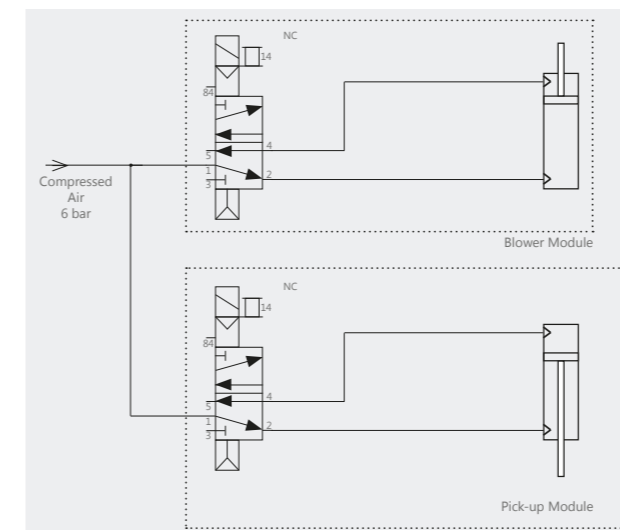
Specifications are subject to change

Pitch	Designation	Holes Number	Length A (mm)	Mass (Kg)	Holding Force (N)* -380mBar	Recommended vacuum flow (m <sup>3</sup> /h at -380mbar)	Recommended vacuum flow (m <sup>3</sup> /h at atm)
8P35	EGB-VG-200x250-8P35	50	250	4.4	483	12	17
	EGB-VG-200x400-8P35	84	400	6.1	812	20	28
	EGB-VG-200x600-8P35	130	600	8.4	1257	30	43
	EGB-VG-200x800-8P35	174	800	10.6	1683	40	57
	EGB-VG-200x1000-8P35	218	1000	12.9	2108	50	72
	EGB-VG-200x1200-8P35	266	1200	15.1	2572	61	88
	EGB-VG-200x1400-8P35	312	1400	17.4	3017	71	103
	EGB-PG-200x250-8P35	50	250	3.9	387	12	17
	EGB-PG-200x400-8P35	84	400	5.2	650	20	28
	EGB-PG-200x600-8P35	130	600	7	1006	30	43
	EGB-PG-200x800-8P35	174	800	8.8	1346	40	57
	EGB-PG-200x1000-8P35	218	1000	10.6	1686	50	72
	EGB-PG-200x1200-8P35	266	1200	12.4	2058	61	88
	EGB-PG-200x1400-8P35	312	1400	14.2	2414	71	103

## Exploded View



## Pneumatical Control

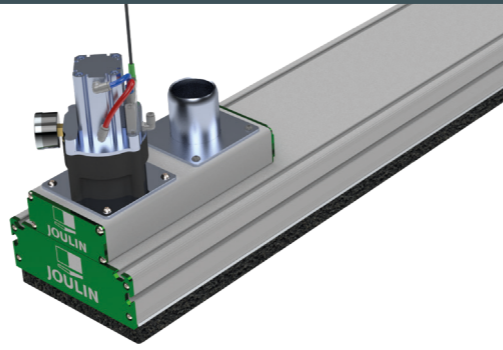


## Spare Parts

Foam Pad (EGV - EGB)	Pitch	Length A (mm)	Designation
8P17.5	250	EGF.200.250.24.US.100	
	400	EGF.200.400.24.US.168	
	600	EGF.200.600.24.US.260	
	800	EGF.200.800.24.US.346	
	1000	EGF.200.1000.24.US.440	
	1200	EGF.200.1200.24.US.532	
	1400	EGF.200.1400.24.US.624	
8P35	250	EGF.200.250.24.US.50	
	400	EGF.200.400.24.US.84	
	600	EGF.200.600.24.US.130	
	800	EGF.200.800.24.US.174	
	1000	EGF.200.1000.24.US.174	
	1200	EGF.200.1200.24.US.218	
	1400	EGF.200.1400.24.US.312	

# ExtruGrip Heavy Duty

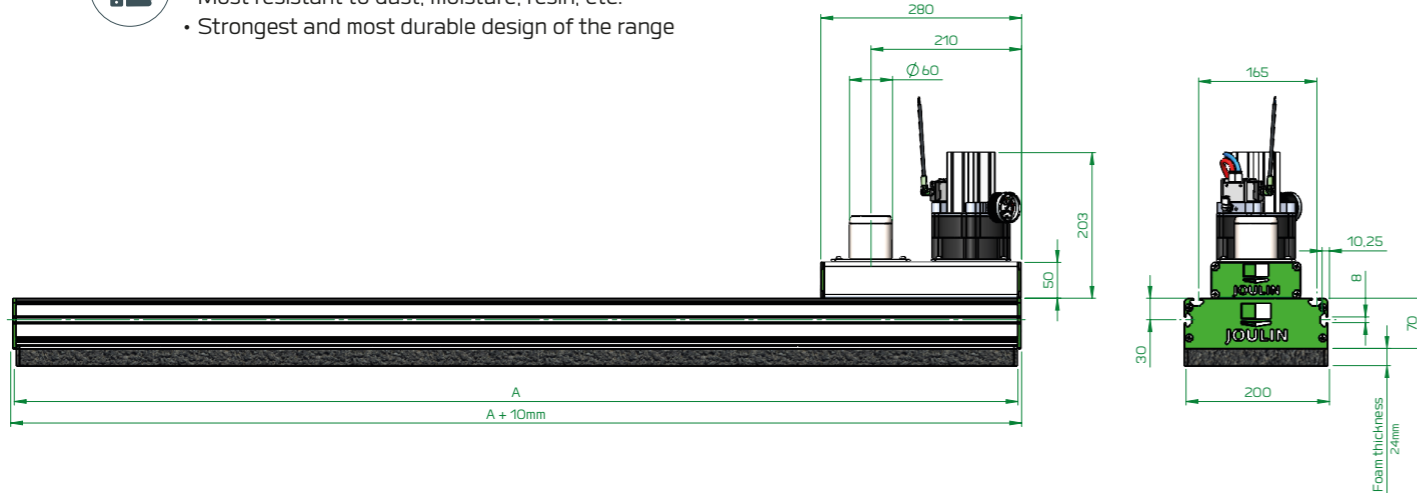
EHD



## EHD (BLOWER HEAVY DUTY)

Same principle as valve gripper with extended qualities thanks to heavy duty disk valves.

- Maximum foam life
- Most resistant to dust, moisture, resin, etc.
- Strongest and most durable design of the range



Pitch	Designation	Holes Number	Length A (mm)	Masse (Kg)	Holding Force (N)* -380mBar	Recommended vacuum flow (m3/h at -380mbar)	Recommended vacuum flow (m3/h at atm)
2P40	EHD-VG-200x1200-2P40	58	1200	18.8	3342	87	174
	EHD-VG-200x1400-2P40	68	1400	21.4	3918	102	204
	EHD-VG-200x1600-2P40	78	1600	24.1	4494	117	234

\* Theoretical capacities on rigid and airtight products. These technical data are with safety factor already applied.

\*\* Data measured at 6 bar of feed pressure

Specifications are subject to change

Pitch	Designation	Holes Number	Length A (mm)	Masse (Kg)	Holding Force (N)* -380mBar	Recommended vacuum flow (m3/h at -380mbar)	Recommended vacuum flow (m3/h at atm)
1P35	EHD-VG-200x1200-1P35	33	1200	16.6	3127	50	99
	EHD-VG-200x1400-1P35	39	1400	18.9	3696	59	117
	EHD-VG-200x1600-1P35	44	1600	21.2	4169	66	132

## Labelling

**EHD**

Range of the gripper  
EHD  
ExtruGrip  
Heavy Duty

**-VG**

Technology  
- VG  
Valve Gripper

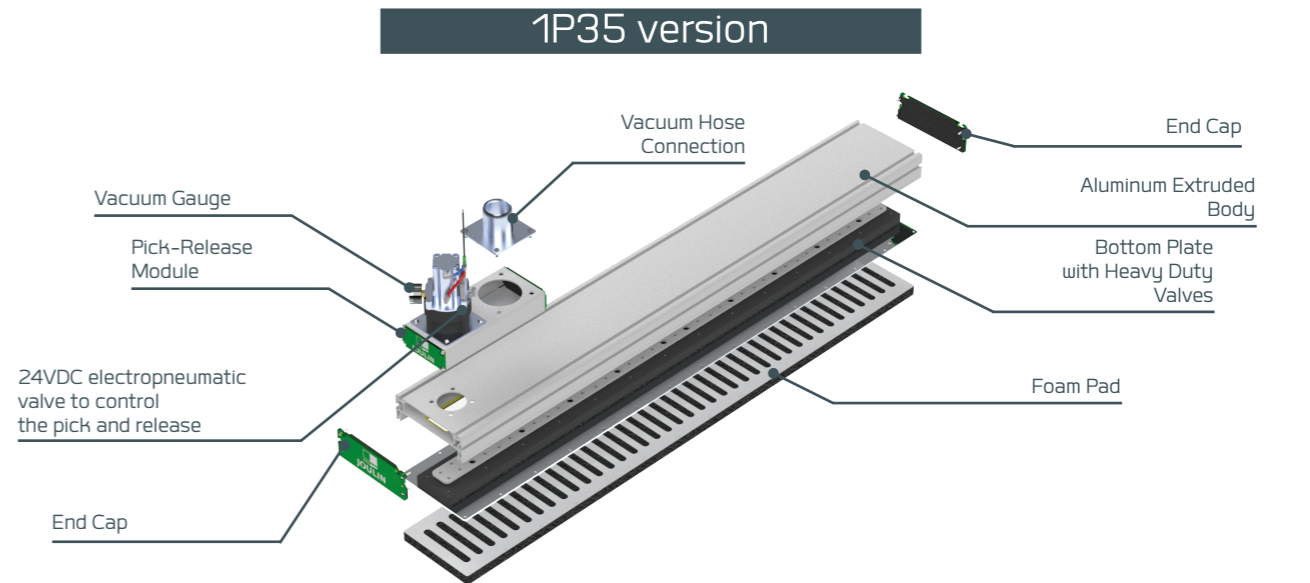
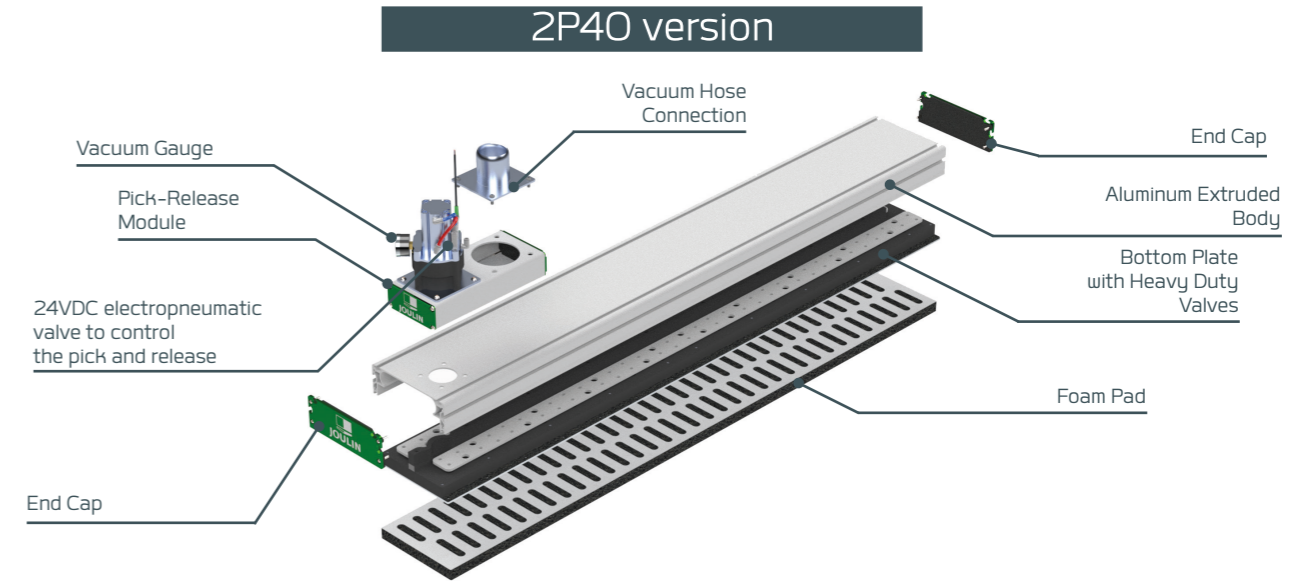
**-200x1400**

Standards dimensions  
- 200x1200  
- 200x1400  
- 200x1600

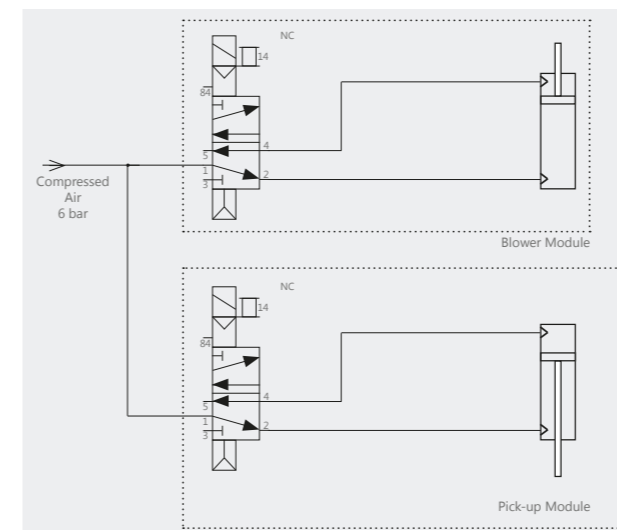
**-2P40**

Pitch  
- 2P40  
40mm  
- 1P35  
35mm

## Exploded View



## Pneumatical Control



## Spare Parts

Foam Pad (EHD)	Pitch	Length A (mm)	Part Number
		1200	EGF.200.1200.24.US.58
2P40		1400	EGF.200.1400.24.US.68
		1600	EGF.200.1600.24.US.78
		1200	EGF.200.1200.24.US.33
1P35		1400	EGF.200.1400.24.US.39
		1600	EGF.200.1600.24.US.44





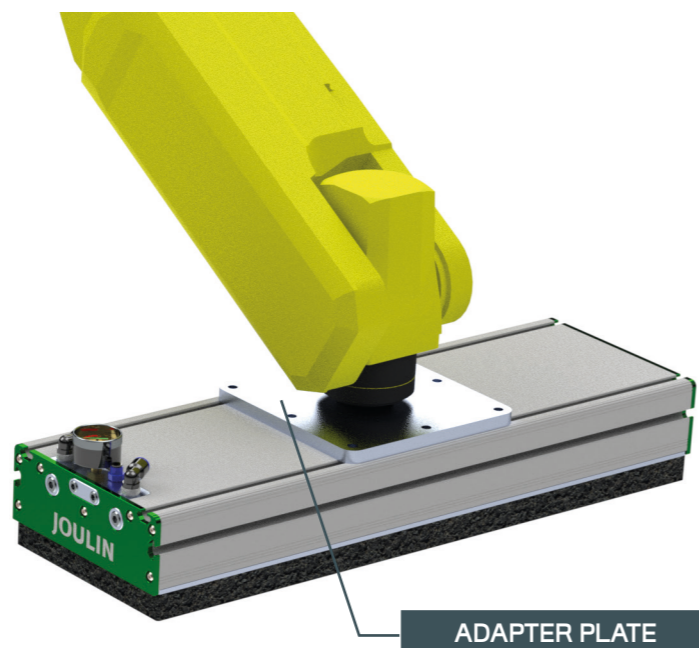
# Accessories

## Adapter Plate

### Benefits

- Adapter plate depending on the robot pattern.
- Perfect solution for palletizing application.
- T-slots on extruded profile for an easy add-on of options.

**ITEM NUMBER:**  
On Request



ADAPTER PLATE

Make your own configuration with



**Post Assembly Nuts**  
M5 for accessories

**ITEM NUMBER:**  
NUT.08M05



**Post Assembly Nuts**  
M6 for accessories

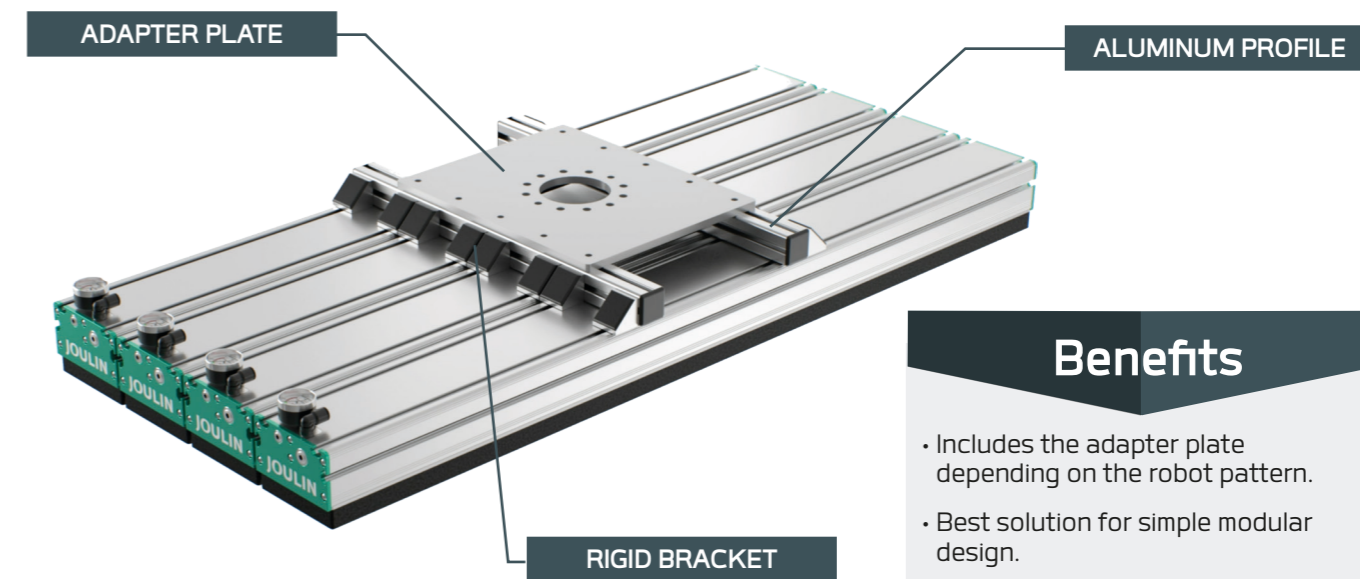
**ITEM NUMBER:**  
NUT.08M06



**Post Assembly Nuts**  
M8 for fixture

**ITEM NUMBER:**  
NUT.08M08

## Adapter Plate in the Middle of a Frame

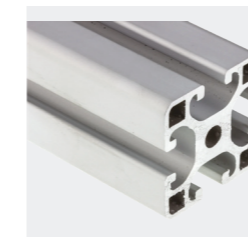


### Benefits

- Includes the adapter plate depending on the robot pattern.
- Best solution for simple modular design.
- Perfect solution for palletizing application.
- Easy access to fixing screws.
- T-slots on extruded profile for an easy add-on of options.

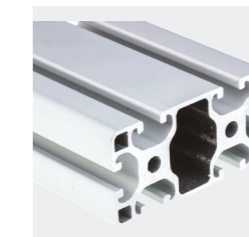
**ITEM NUMBER:**  
On Request

Make your own configuration with



**Frame in Aluminum Profile 40x40mm for Rigid Mounting**

For small frame configuration  
**Weight:** 1.75kg/meter  
**ITEM NUMBER:**  
APL.04040



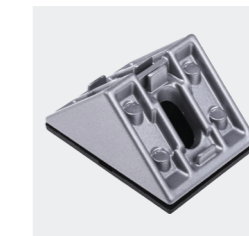
**Frame in Aluminum Profile 80x40mm for Rigid Mounting**

For large frame configuration  
**Weight:** 3.04kg/meter  
**ITEM NUMBER:**  
APL.08040



**Post Assembly Nuts**  
M8 for fixture

**ITEM NUMBER:**  
NUT.08M08

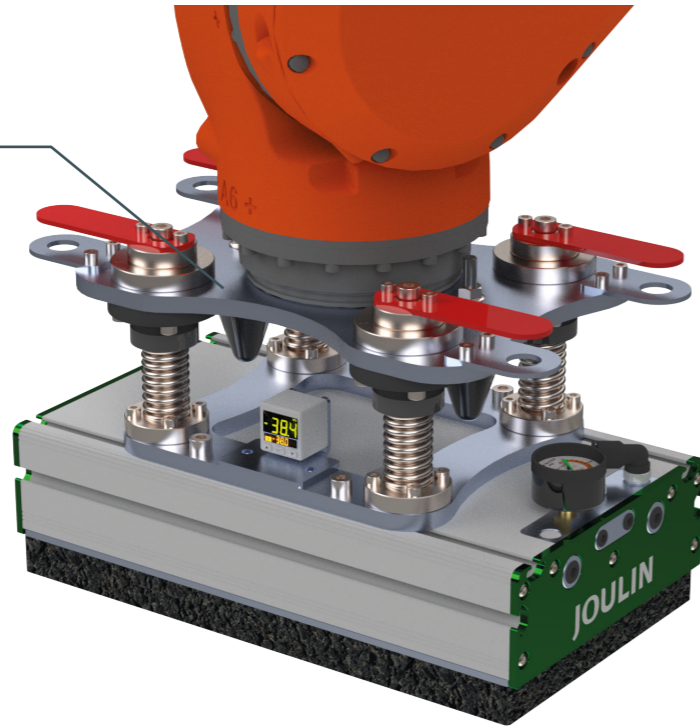


**Pair of Rigid Bracket**  
For fixing the gripper on the frame

**ITEM NUMBER:**  
ABR.08040

# 4 Axis Compliance System

COMPLIANCE SYSTEM



## Benefits

- Includes the adapter plate depending on the robot pattern.
- Perfect for depalletizing application.
- Compensate differences in gripper and product layer parallelism.
- Anticollision system to compensate height irregularities.

ITEM NUMBER:  
On Request

Make your own configuration with



**Post Assembly Nuts**  
M8 for fixture

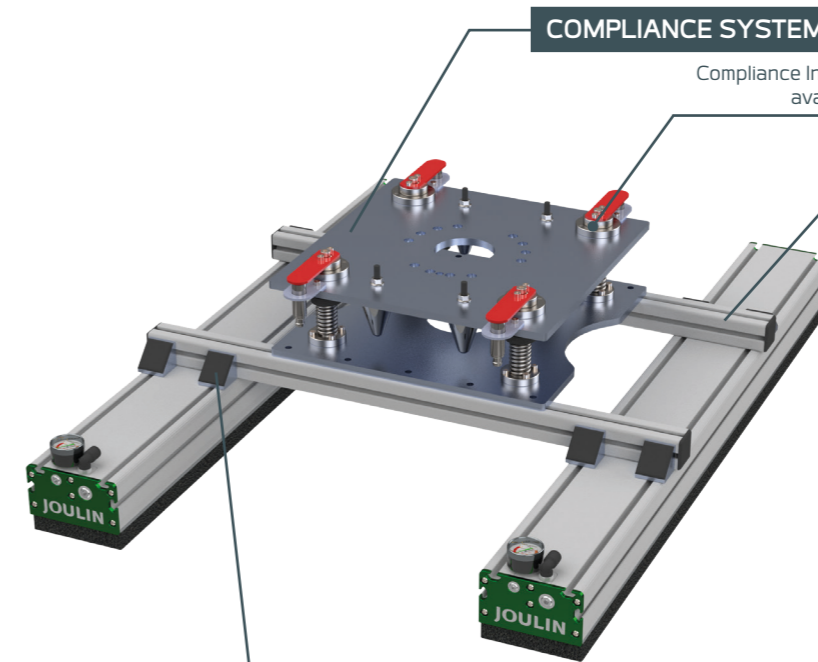
ITEM NUMBER:  
NUT.08M08

# 4 Axis Compliance System on a Frame

COMPLIANCE SYSTEM

Compliance Inductive Sensor  
available in Option

ALUMINUM PROFILE



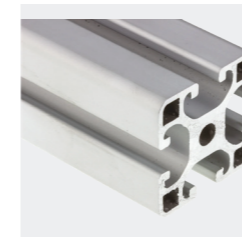
RIGID BRACKET

## Benefits

- Includes the adapter plate depending on the robot pattern.
- Perfect for depalletizing application.
- Compensate differences in gripper and product layer parallelism.
- Anticollision system to compensate height irregularities.
- Best solution for simple modular design.

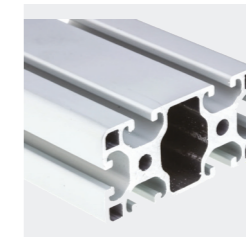
ITEM NUMBER:  
On Request

Make your own configuration with



**Frame in Aluminum Profile 40x40mm for Rigid Mounting**

For small frame configuration  
**Weight:** 1.75kg/meter  
ITEM NUMBER:  
APL.04040



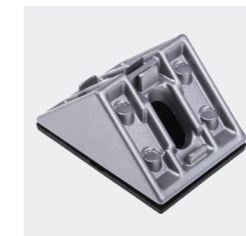
**Frame in Aluminum Profile 80x40mm for Rigid Mounting**

For large frame configuration  
**Weight:** 3.04kg/meter  
ITEM NUMBER:  
APL.08040



**Post Assembly Nuts**  
M8 for fixture

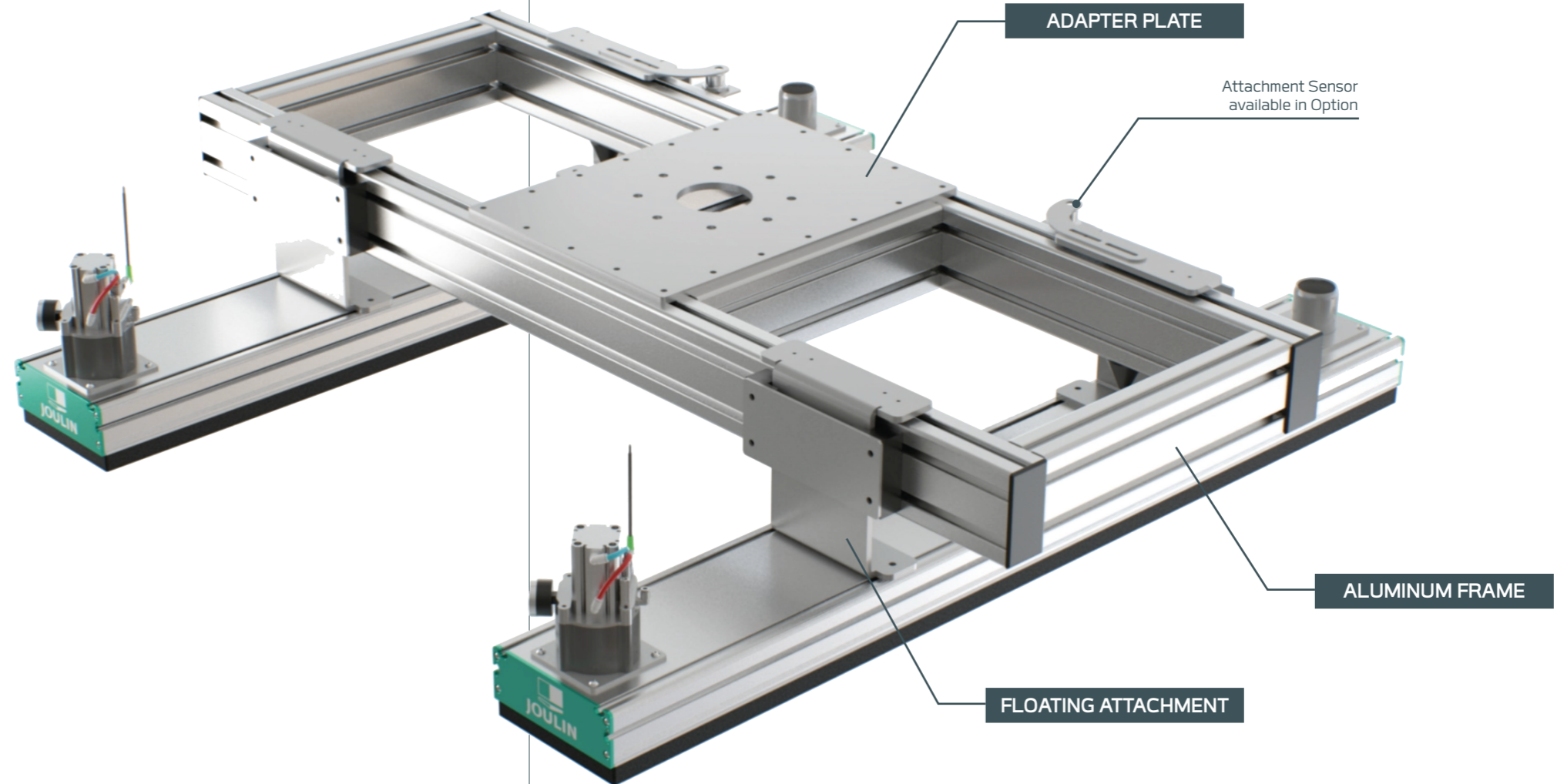
ITEM NUMBER:  
NUT.08M08



**Pair of Rigid Bracket**  
For fixing the gripper on the frame

ITEM NUMBER:  
ABR.08040

# Complete Frame Interface

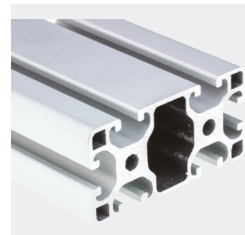


## Benefits

- Perfect for large layer handling
- Includes the adapter plate depending on the robot pattern.
- To create a large gripper using standard smaller grippers.
- Floating attachments to compensate large layer deformations.

**ITEM NUMBER:**  
On Request

## Make your own Configuration with



**Frame in Aluminum Profile 120x60mm for Rigid Mounting**  
Weight: 10.1kg/meter

**ITEM NUMBER:**  
APL.12060



**Post Assembly Nuts**  
M8 for fixture

**ITEM NUMBER:**  
NUT.12M08



**Post Assembly Nuts**  
M10 for fixture

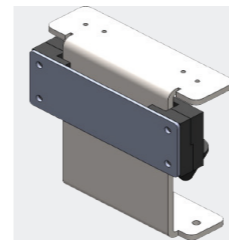
**ITEM NUMBER:**  
NUT.12M10



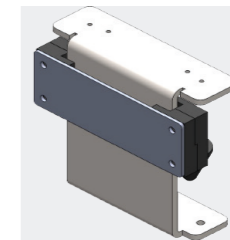
**Post Assembly Nuts**  
M12 for fixture

**ITEM NUMBER:**  
NUT.12M12

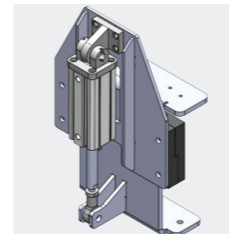
## Choose your Grippers's Interface with



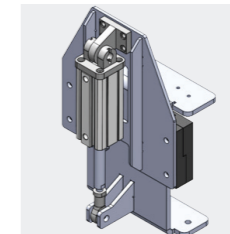
**Pair of Floating Attachments on Extrugrip 125mm**  
Robust free floating attachment  
**Weight:** 6.4kg/pair  
**ITEM NUMBER:**  
FAF.60125



**Pair of Floating Attachments on Extrugrip 200mm**  
Robust free floating attachment  
**Weight:** 9.6kg/pair  
**ITEM NUMBER:**  
FAF.60200



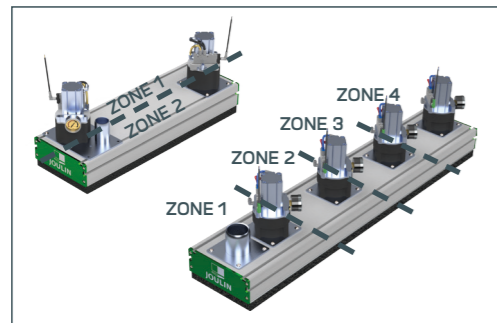
**Pair of Floating Attachments with cylinder on Extrugrip 125mm**  
Robust free floating attachment with adjustable layer compression  
**Weight:** 10.9kg/pair  
**ITEM NUMBER:**  
FAC.60125



**Pair of Floating Attachments with cylinder on Extrugrip 200mm**  
Robust free floating attachment with adjustable layer compression  
**Weight:** 14.6kg/pair  
**ITEM NUMBER:**  
FAC.60200

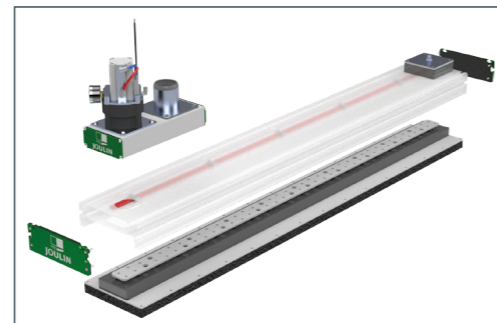


# Options



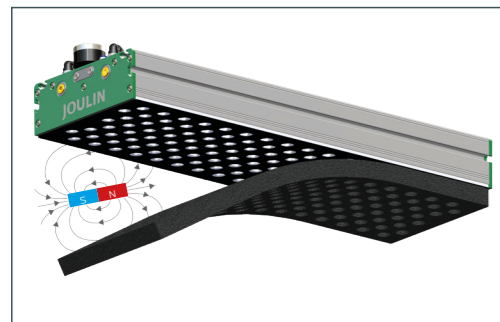
### Multizone System

Multiple release of the products.  
When there are different layers configurations for picking or releasing by zones.



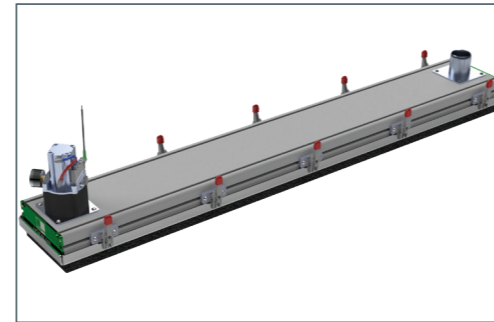
### Heating System

Prevent from freezing inside the gripper.  
Automatically activated when temperatures falls below 0°C.



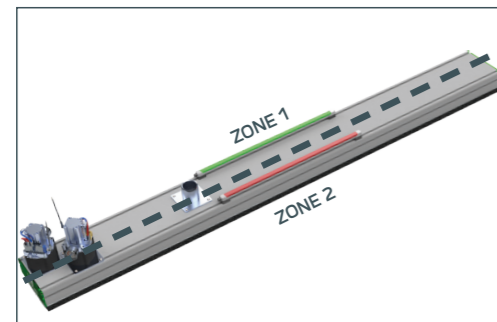
### EasyFoam

Fast and easy removal of foam from the gripper with magnet plate. No adhesive to remove at foam change.



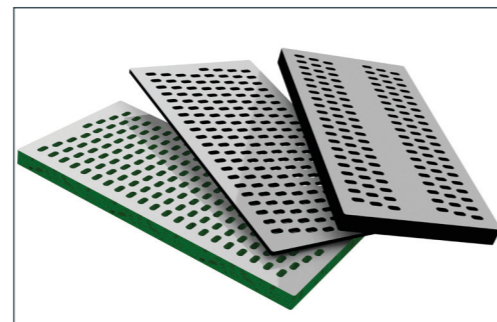
### Quick Foam Changing Plate

Interchangeable support plates for quick change of foam.



### LED Statut Light

LED lights could be installed on each sides of each gripper to know which zone is activated.



### Custom Foam design

Custom holes pattern and shape depending on the application. Various type and thickness of foam available on request

## Connection



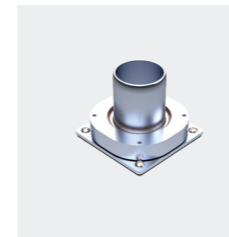
**Straight Hose Connection**  
ø60mm  
Fixing pattern: 90x90mm

**ITEM NUMBER:**  
HCS.90D60



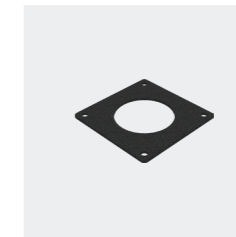
**Elbow Hose Connection**  
ø60mm  
Fixing pattern: 90x90mm

**ITEM NUMBER:**  
HCE.90D60



**Straight Rotating Hose Connection**  
Designed for easier hose routing when a single gripper is used  
ø60mm

**Fixing pattern:** 90x90mm  
**ITEM NUMBER:**  
HCR.90D60



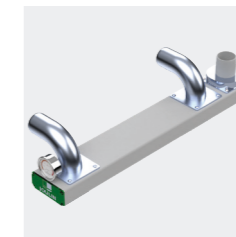
**Seal for Hose Connection**  
ø60mm

**ITEM NUMBER:**  
SHC.90D90



**Custom Hose Connection**  
From ø40mm to ø100mm  
Straight, elbow, rotating, etc.

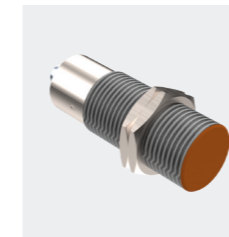
**Fixing pattern:** 90x90mm  
**ITEM NUMBER:**  
On Request



**Manifold box**  
Designed for easier hose routing when multiple grippers are used

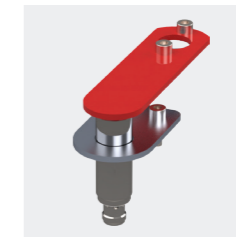
**ITEM NUMBER:**  
On Request

## Sensors



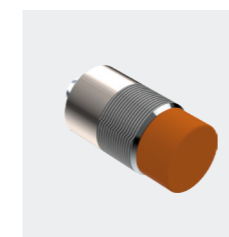
**Inductive Sensor M18**  
For Compliance System  
without bracket and cam

**ITEM NUMBER:**  
IND.00M18



**Inductive Sensor M18**  
For Compliance System  
Includes bracket and cam

**ITEM NUMBER:**  
IND.CSM18



**Inductive Sensor M30**  
For Aluminum Frame  
without bracket and cam

**ITEM NUMBER:**  
IND.00M30



**Inductive Sensor M30**  
For Aluminum Frame  
Includes bracket and cam

**ITEM NUMBER:**  
IND.FAM30



**Optic Sensor**  
Used as a product presence sensor.  
To be placed on the side of the gripper.

**ITEM NUMBER:**  
OPT.00M12



**Digital Gauge**  
Includes bracket

**ITEM NUMBER:**  
J-DVG-2NP/1A-1/8-DA



## USA

2551 Hwy 70 SW - HICKORY  
NC-28602

Phone : **+(1) 828 327 2290**  
Fax : **+(1) 828 327 8678**

## France

17 avenue des Grenots  
F-91150 ETAMPES

Tél. **+33 (0)1 69 92 16 16**  
Fax **+33 (0)1 64 94 21 35**



**JOULIN**  
vacuum handling



Made in USA



Made in France

contact : [grippers@joulin.com](mailto:grippers@joulin.com)

[www.joulin.com](http://www.joulin.com)