

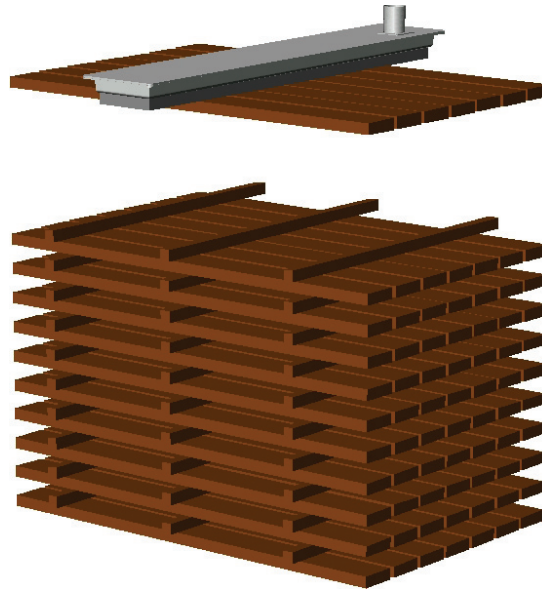
JOULIN



**Solutions to fit your
stacking and destacking
needs.**

LUMBER GRIPPER

Foam Vacuum Gripper



LG-

Range
of the gripper

VG

Technology :
- VG = Valve Gripper
- PG = Port Gripper

252

Version :
- 616
- 441
- 252
- 99
- 29
- 27

-P21

Pitch :
- P15
- P21
- P40
- P45
- P50

-N1200

Foam nominal :
- N1200
- N1300
- N1400
- N1500
- N1600
- etc, ...

concept

- Unique design
- Worldwide leader in the wood industry
- Foam pattern to fit your application
- Uneven surfaces
- Gripping power remains constant with single parts or entire layers

benefits

- Saving up to 50% with the «Wave System»™ (internal check valve)
- Easy and quick foam change
- Low maintenance
- Not sensitive to dust
- No filter required

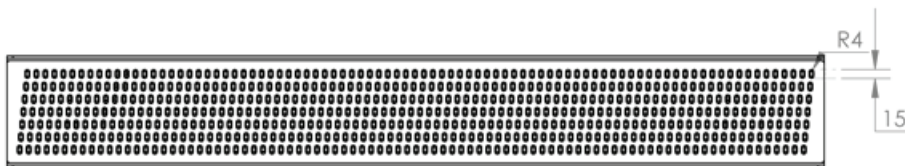
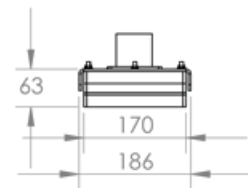
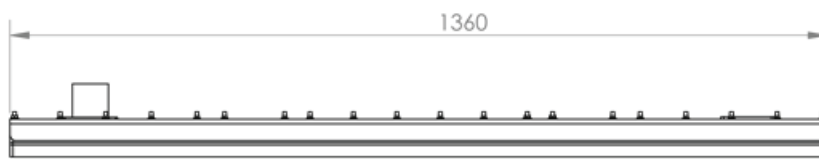
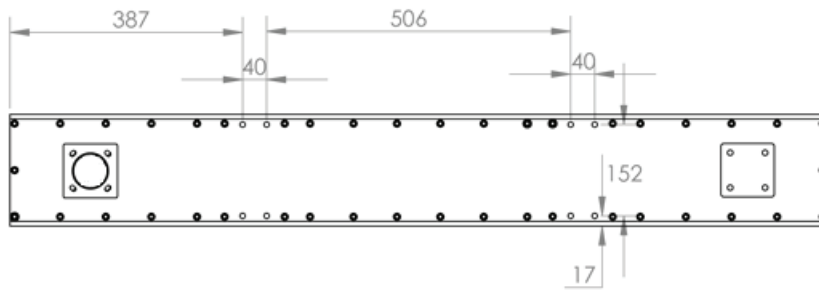
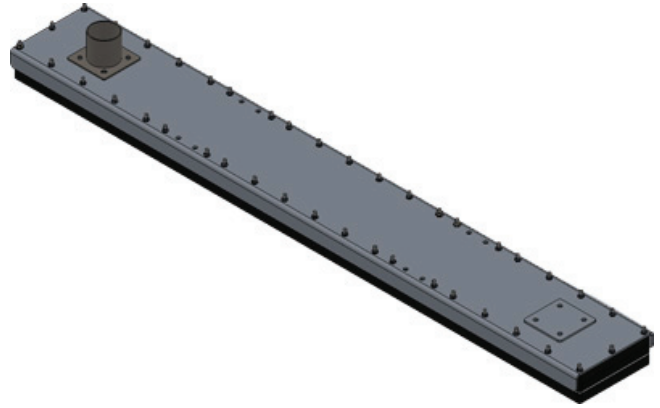
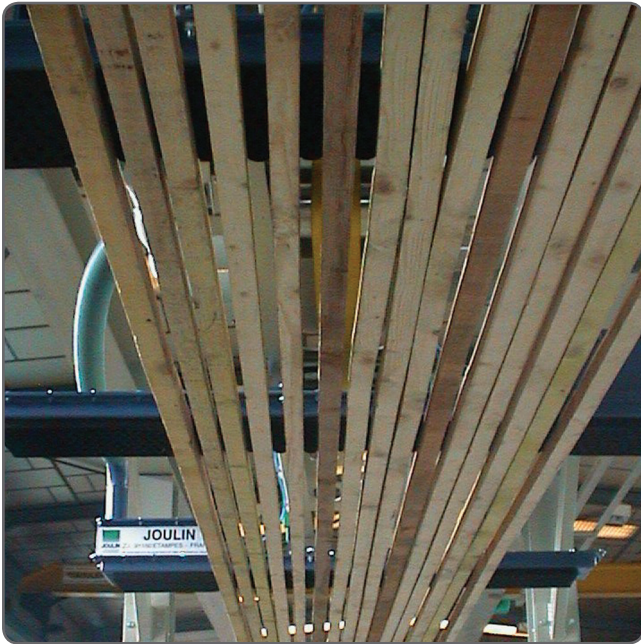
easy to customize

- Easy and inexpensive to manufacture to fit your needs
- Many options available
- Adjustable lifting capacity with different check valves
- Complete frame to support the grippers
- Quick delivery time

LUMBER GRIPPER

Foam Vacuum Gripper

VG616

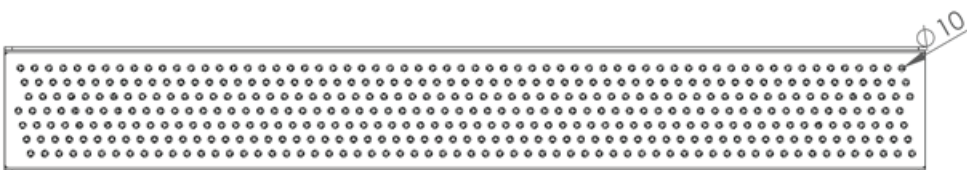
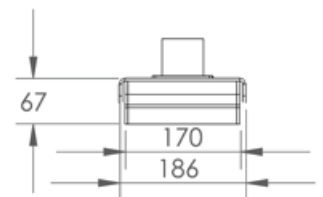
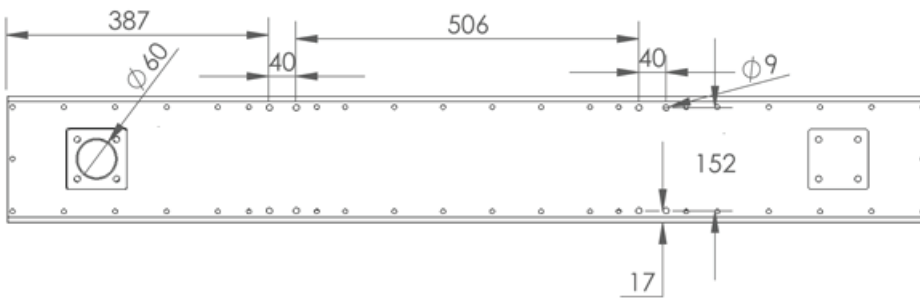
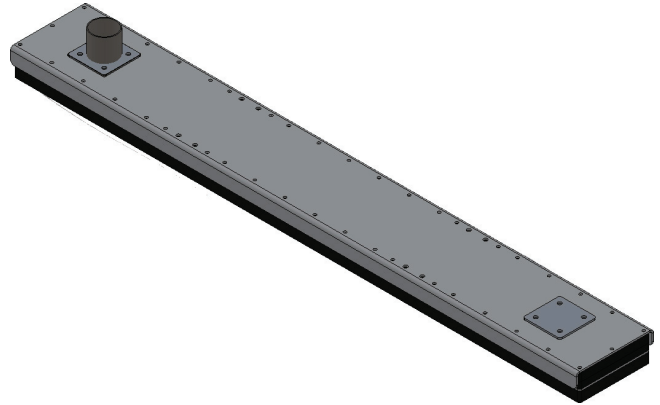


Grade	Reference	min width	Style
Industrial	VG616	25	Flush

LUMBER GRIPPER

Foam Vacuum Gripper

VG441

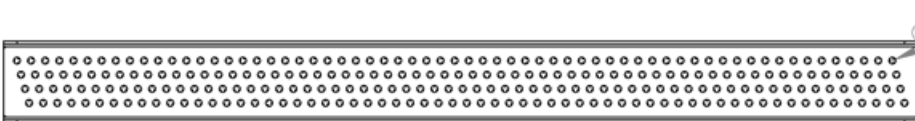
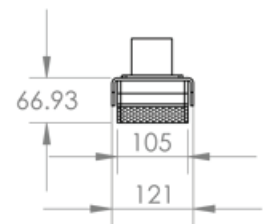
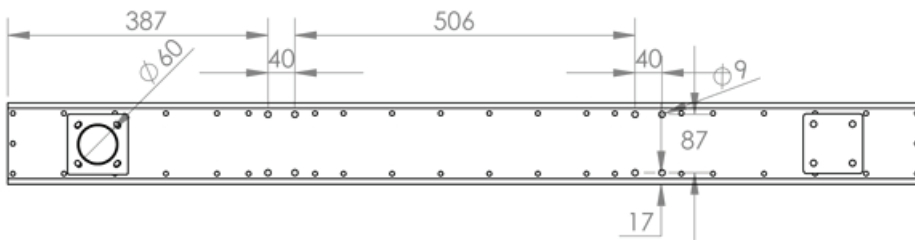
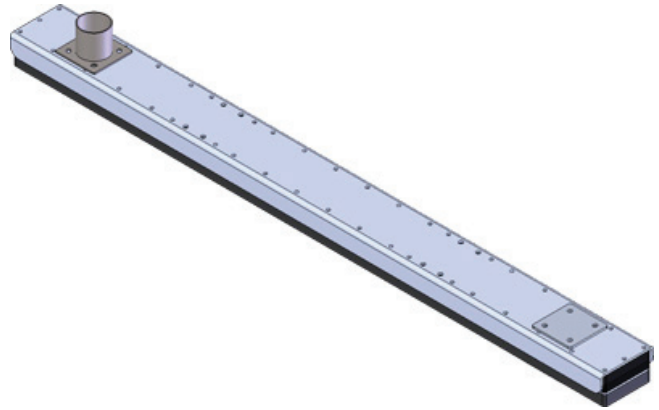


Grade	Reference	min width	Style
Industrial	VG441	40	Flush

LUMBER GRIPPER

Foam Vacuum Gripper

VG252

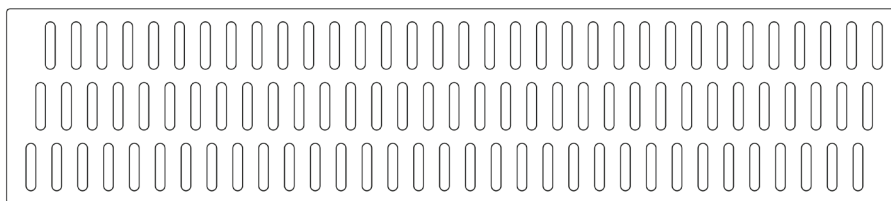
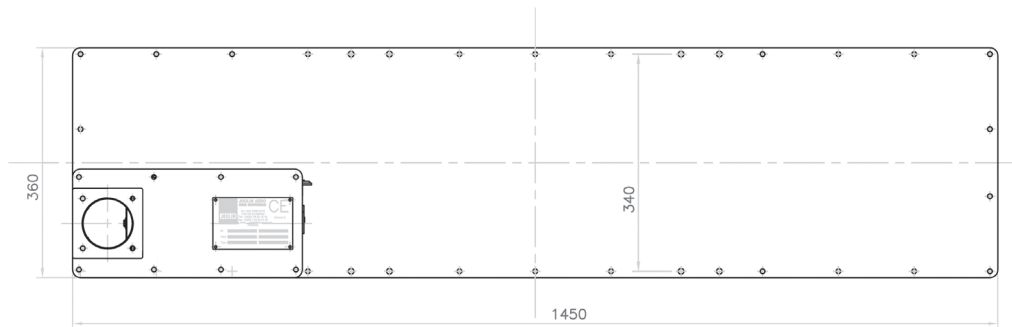
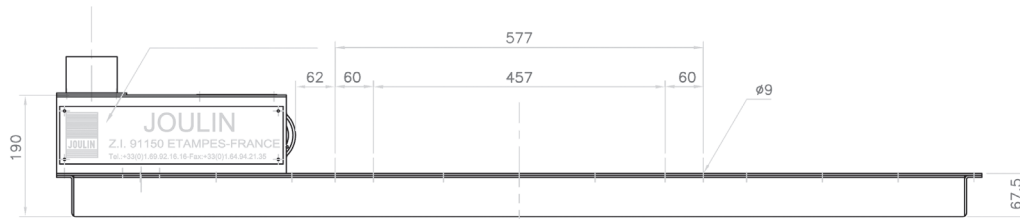
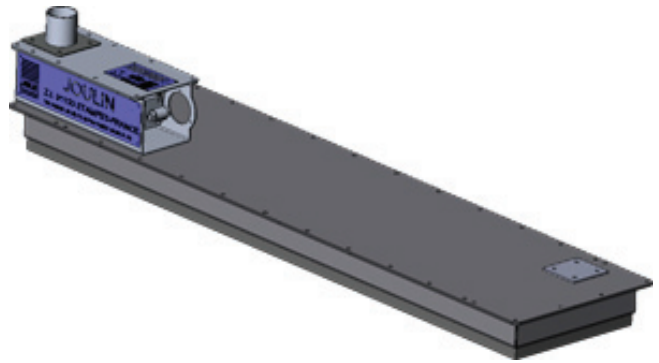


Grade	Reference	min width	Style
Industrial	VG252	50	Flush

LUMBER GRIPPER

Foam Vacuum Gripper

VG99

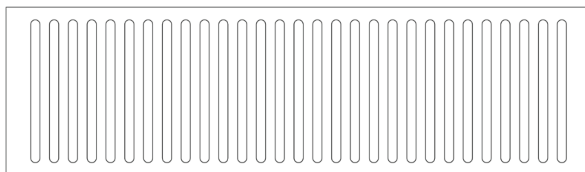
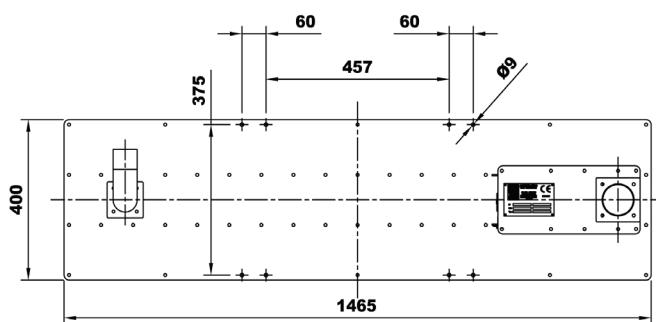
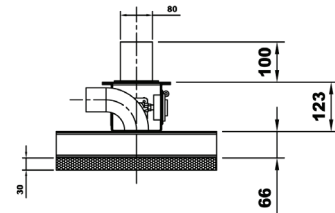
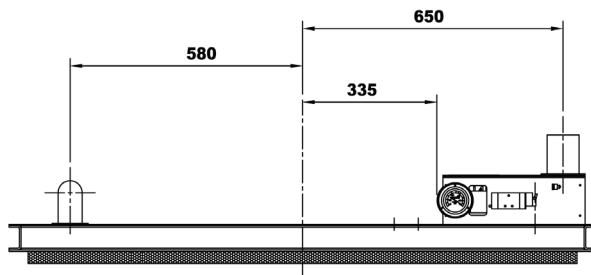
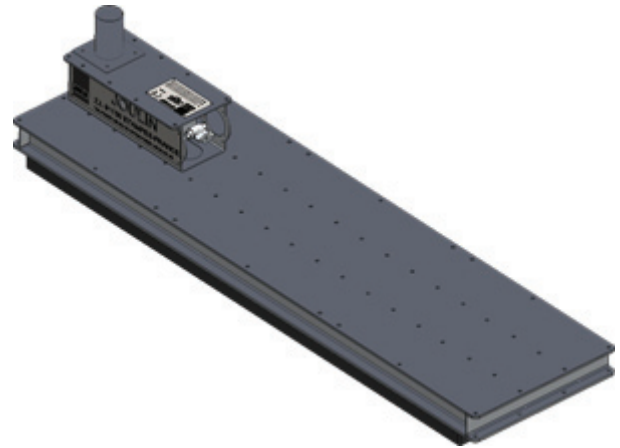
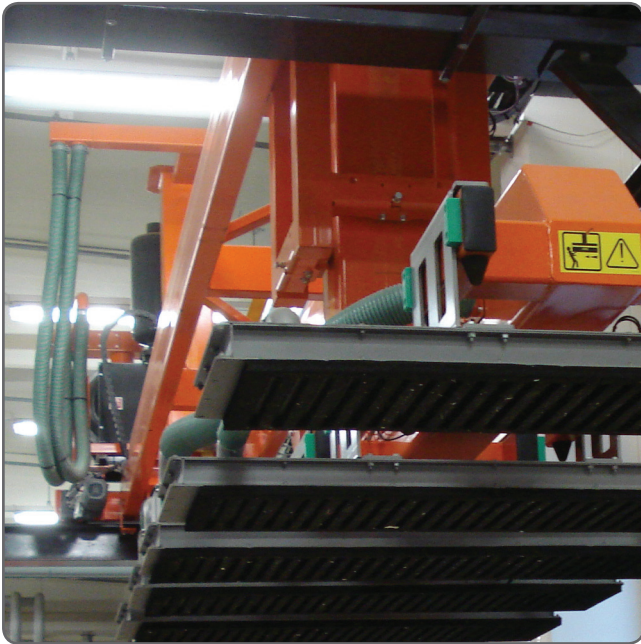


Grade	Reference	min width	Style
Extreme	VG99	45	Pan

LUMBER GRIPPER

Foam Vacuum Gripper

VG29

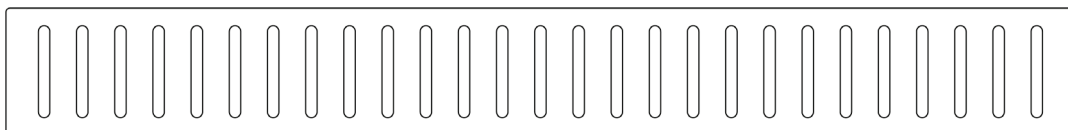
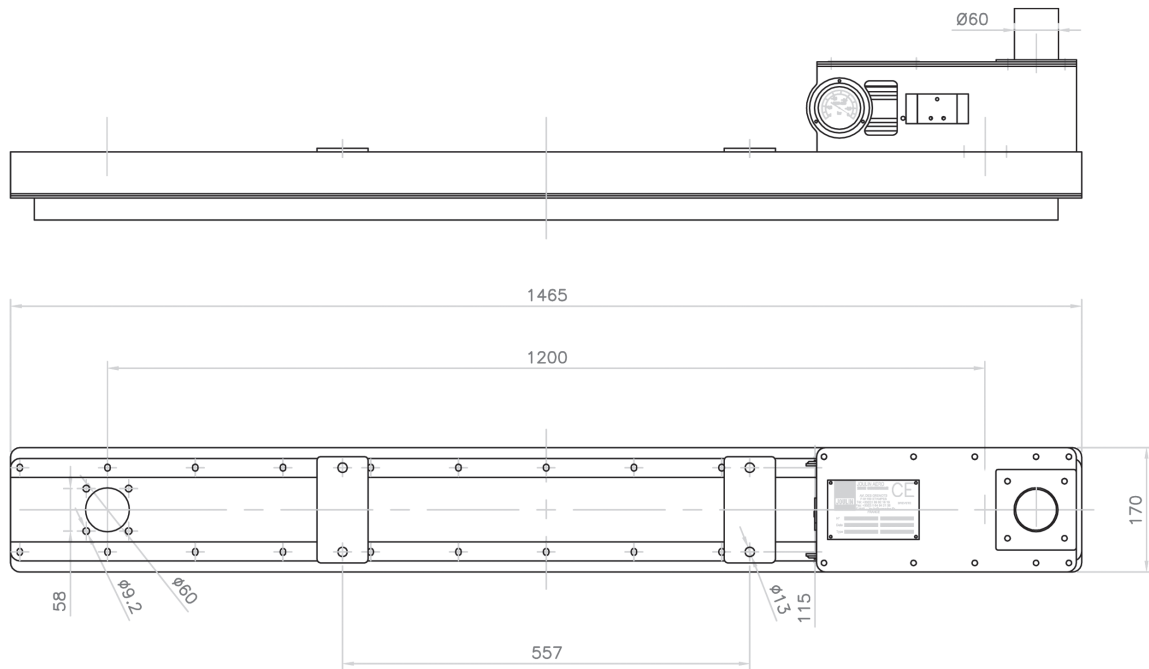
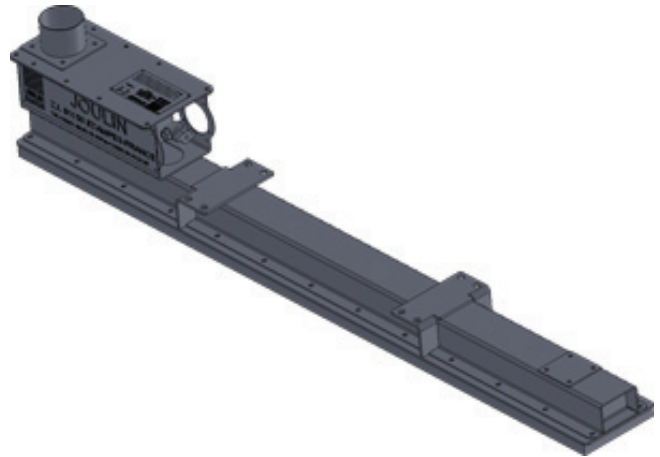


Grade	Reference	min width	Style
Extreme	VG29	80	Pan

LUMBER GRIPPER

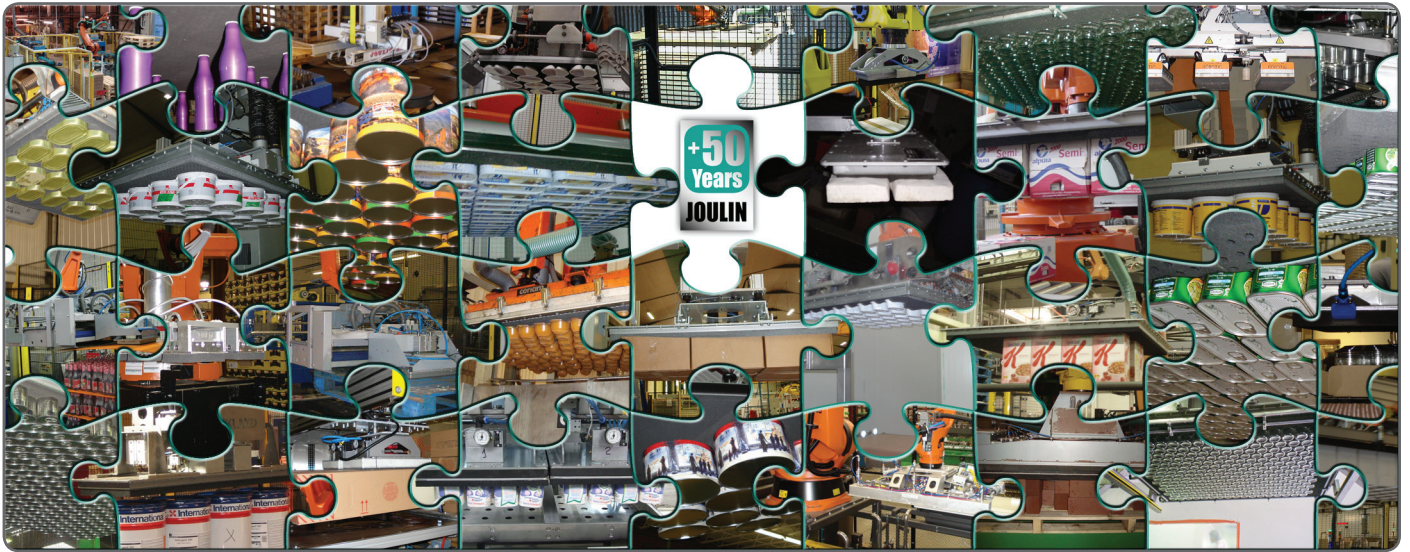
Foam Vacuum Gripper

VG27



Grade	Reference	min width	Style
Extreme	VG27	70	Pan

JOULIN



USA :

2551 Hwy 70 West
HICKORY - NC 28602
Phone : +(001)828 327 2290
Fax : +(001)828 327 8678



<http://www.joulin.com>

Europe :

17 avenue des Grenots
F-91150 ETAMPES
Phone : +33 (0)1 69 92 16 16
Fax : +33 (0)1 64 94 21 35

E-mail : grippers@joulin.com

Have a problem handling your products ?

Team Joulin has 50 years of Research and Development resulting in better solutions, more options, and vacuum systems offering greater flexibility than ever before.