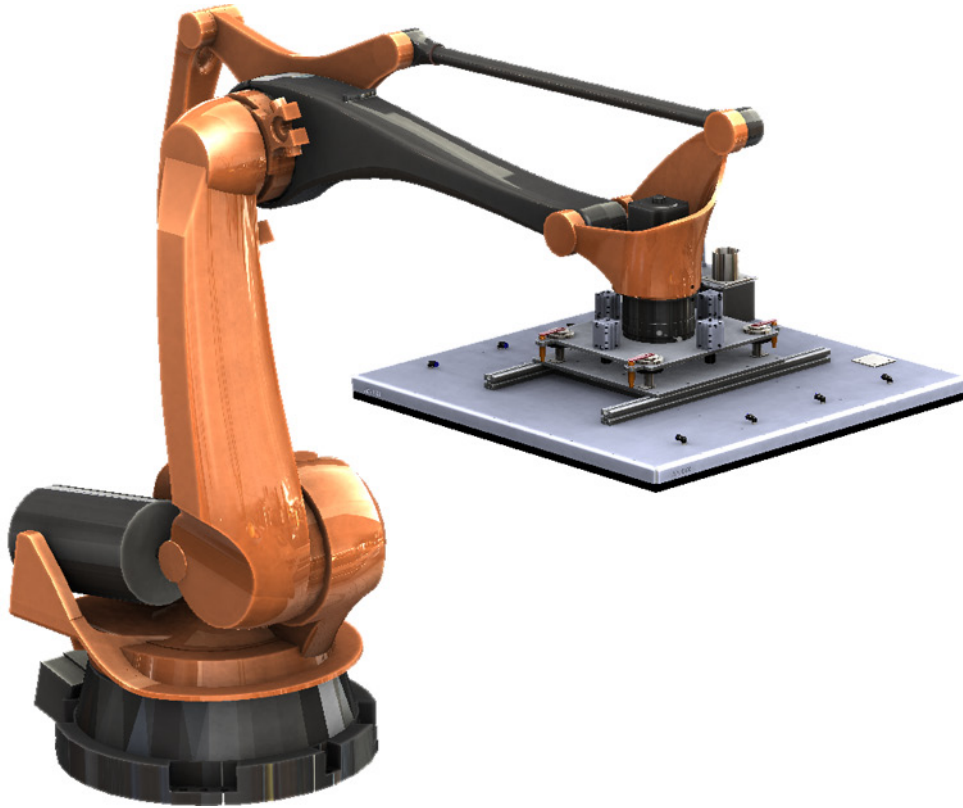


JOULIN



**The ideal tool
for
multi-products palletizing**

PALLETIZER PRO

Foam Vacuum Gripper



PA-

Range
of the gripper

VG

Technology :
- VG = Valve Gripper
- PG = Port Gripper
- FV = Foam Valves

600x400

Dimensions :
- 600x400 mm
- 1300x260 mm
- 1300x500 mm
- 1300x900 mm
- 1300x1100 mm

-P20

Pitch :
- P15 = 15 mm
- P20 = 20 mm
- P28 = 28 mm
- P40 = 40 mm

concept

- Pick up all products (open top, shrink wrap, etc...)
- Gripping power remains constant whether single parts or entire layer
- Same tool for all products (slip sheets and pallets as well)
- Different foam patterns to fit your applications
- Uneven surfaces

benefits

- Saving up to 50% with the «Wave System»™ (internal closing valve)
- Low maintenance
- Not sensitive to dust
- No filter
- Adjustable internal components

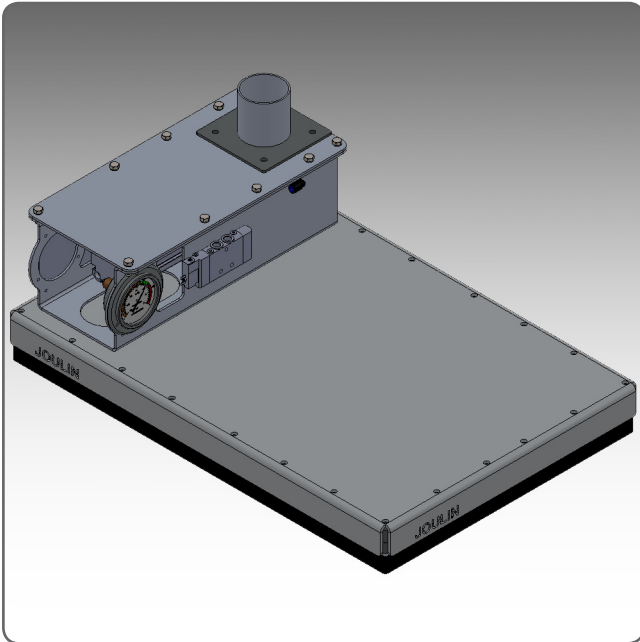
easy to customize

- Easy and inexpensive to manufacture to fit your sizes
- Zoning possible
- Adjustable lifting capacity with different check valves
- Robot attachment and other options available
- Quick delivery time

PALLETIZER PRO

Foam Vacuum Gripper

600 x 400

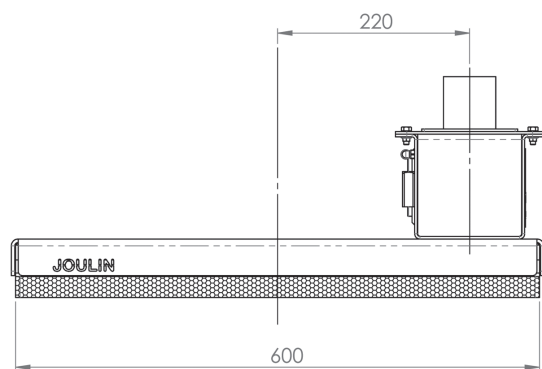
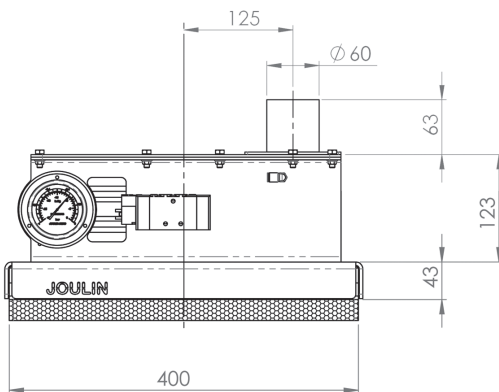
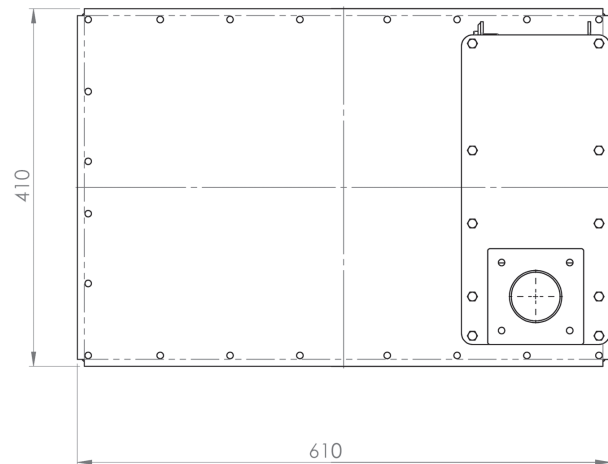


This gripper includes :

- PowerGrip™
- Wave System™
- Griptech™

Available :

- Zoning
- Rotating connection
- Blow off



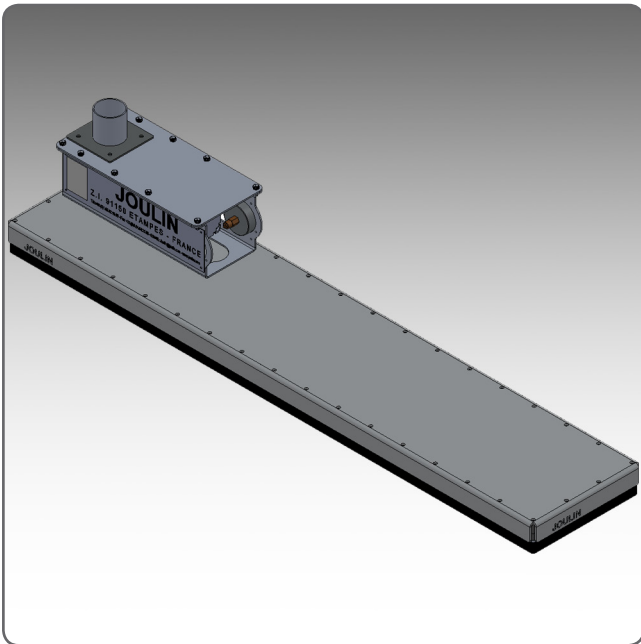
	Weight kg (Lbs)	Power needed kw (HP)	Valves	Foam Pad
PA-VG600x400-P20	12(26.44)	3.3 to 4.3 (5.1 to 6.4)	551	PAF600.400-20
PA-VG600x400-P28	12(26.44)	3.3 to 4.3 (5.1 to 6.4)	260	PAF600.400-28
PA-VG600x400-P40	12(26.44)	1.5 to 3.3 (2.35 to 5.1)	126	PAF600.400-40

specifications are subject to change

PALLETIZER PRO

Foam Vacuum Gripper

1300 x 260

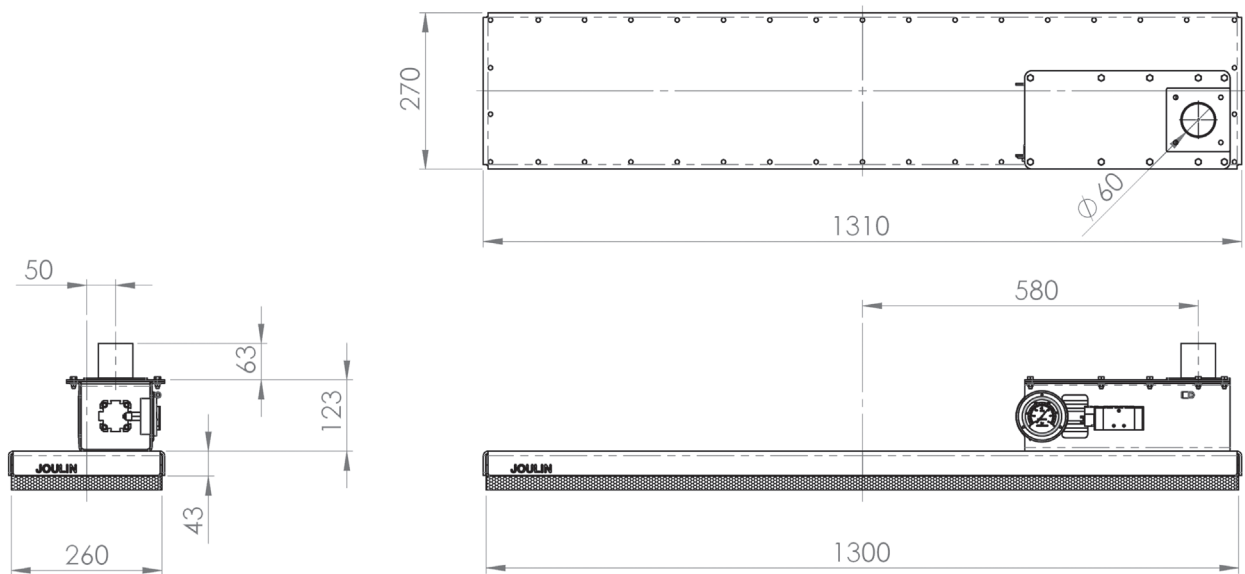


This gripper includes :

- PowerGrip™
- Wave System™
- Griptech™

Available :

- Zoning
- Rotating connection
- Blow off



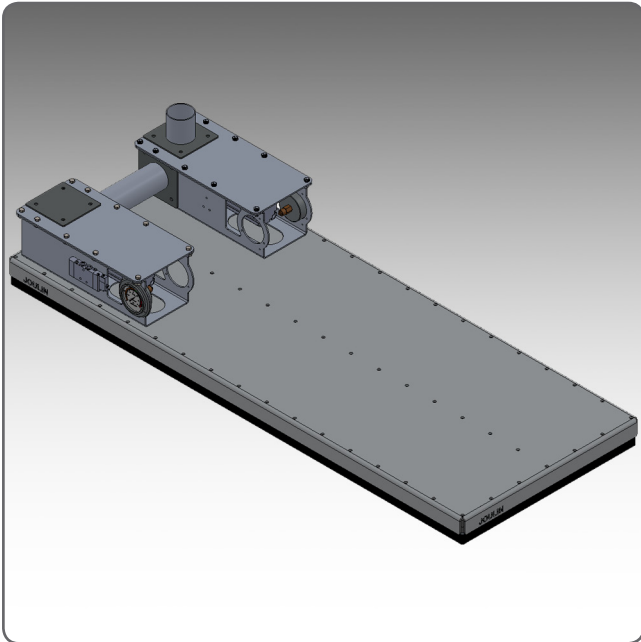
	Weight kg (Lbs)	Power needed kw (HP)	Valves	Foam Pad
PA-VG1300x260-P20	17(37.47)	4.3 to 7.5 (6.4 to 16.9)	768	PAF1300.260-20
PA-VG1300x260-P28	17(37.47)	3.3 to 4.3 (5.1 to 6.4)	360	PAF1300.260-28
PA-VG1300x260-P40	17(37.47)	1.5 to 3.3 (2.35 to 5.1)	192	PAF1300.260-40

specifications are subject to change

PALLETIZER PRO

Foam Vacuum Gripper

1300 x 500

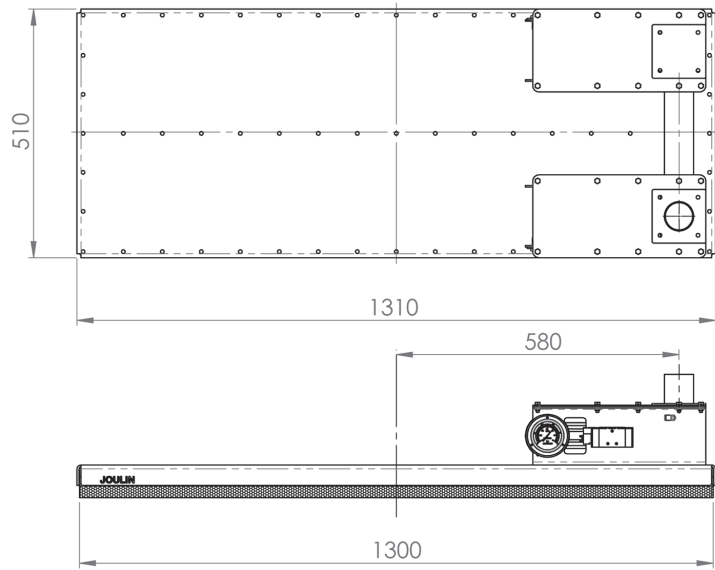
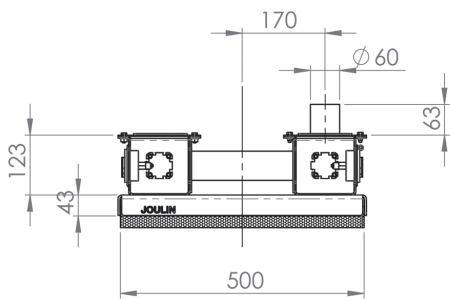


This gripper includes :

- PowerGrip™
- Wave System™
- Griptech™

Available :

- Zoning
- Rotating connection
- Blow off



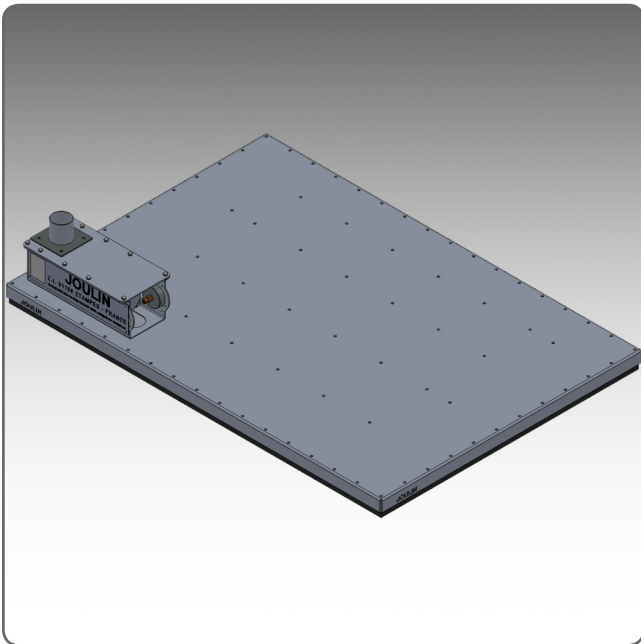
	Weight kg (Lbs)	Power needed kw (HP)	Valves	Foam Pad
PA-VG1300x500-P20	32(70.53)	4.3 to 7.5 (6.4 to 16.9)	1536	PAF1300.500-20
PA-VG1300x500-P28	32(70.53)	4.3 to 7.5 (6.4 to 16.9)	765	PAF1300.500-28
PA-VG1300x500-P40	32(70.53)	3.3 to 4.3 (5.1 to 6.4)	384	PAF1300.500-40

specifications are subject to change

PALLETIZER PRO

Foam Vacuum Gripper

1300 x 900

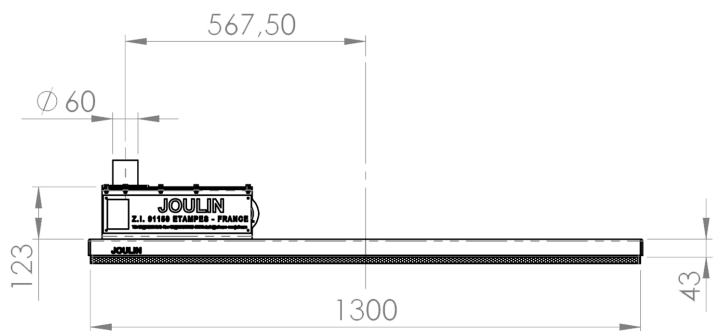
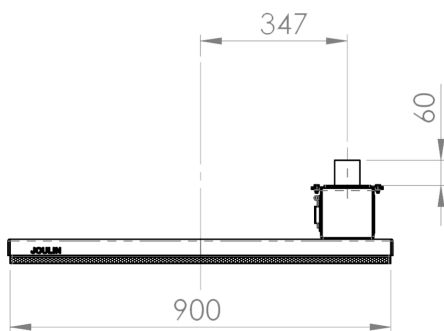
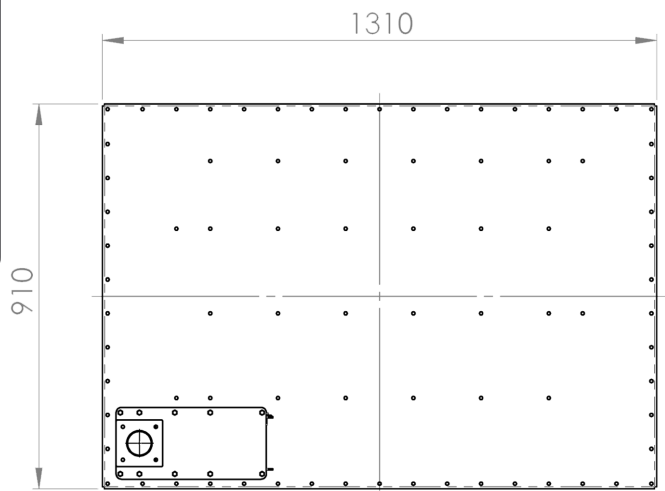


This gripper includes :

- PowerGrip™
- Wave System™
- Griptech™

Available :

- Zoning
- Rotating connection
- Blow off



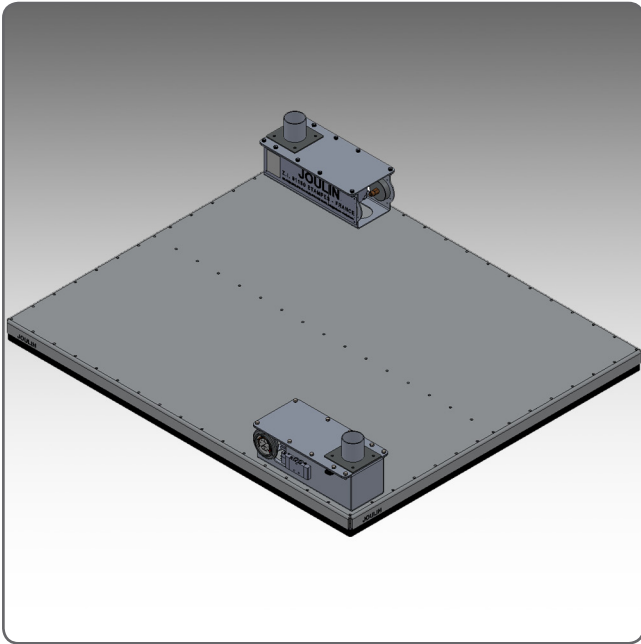
	Weight (kg)	Power needed (kw)	Valves	Foam Pad
PA-VG1300x900-P20	58(127.8)	7.5 to 18 (16.9 to 24.1)	2816	PAF1300.900-20
PA-VG1300x900-P28	58 (127.8)	4.3 to 7.5 (6.4 to 16.9)	1395	PAF1300.900-28
PA-VG1300x900-P40	58 (127.8)	4.3 to 7.5 (6.4 to 16.9)	704	PAF1300.900-40

specifications are subject to change

PALLETIZER PRO

Foam Vacuum Gripper

1300 x 1100

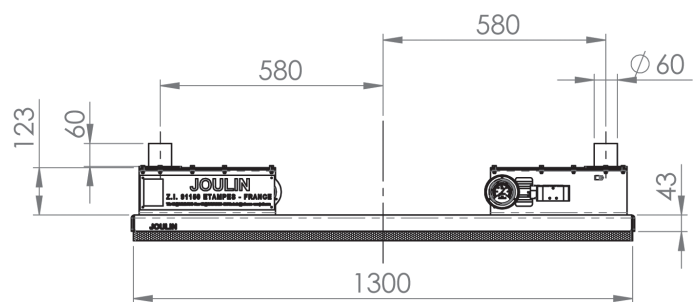
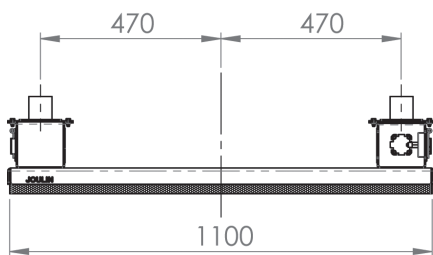
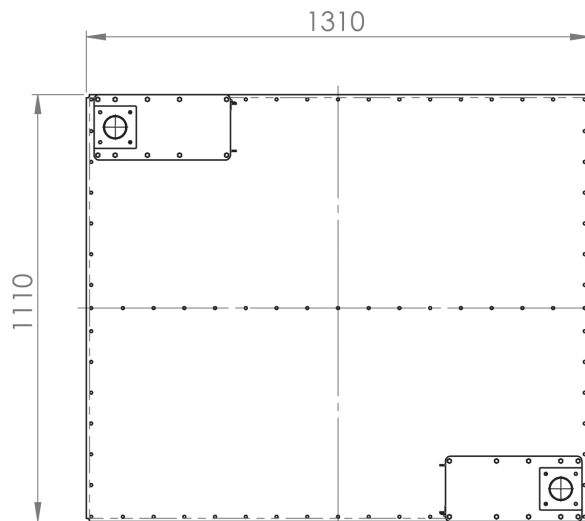


This gripper includes :

- PowerGrip™
- Wave System™
- Griptech™

Available :

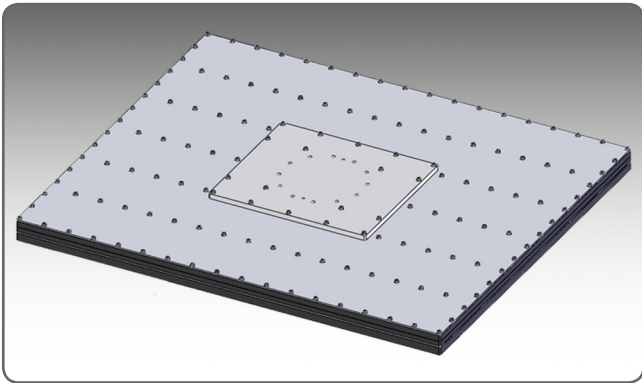
- Zoning
- Rotating connection
- Blow off



	Weight (kg)	Power needed (kw)	Valves	Foam Pad
PA-VG1300x1100-P20	72	7.5 to 18 (16.9 to 24.1)	3456	PAF1310.1110-20
PA-VG1300x1100-P28	72	7.5 to 11 (16.9)	1748	PAF1310.1110-28
PA-VG1300x1100-P40	72	4.3 to 7.5 (6.4 to 16.9)	864	PAF1310.1110-40

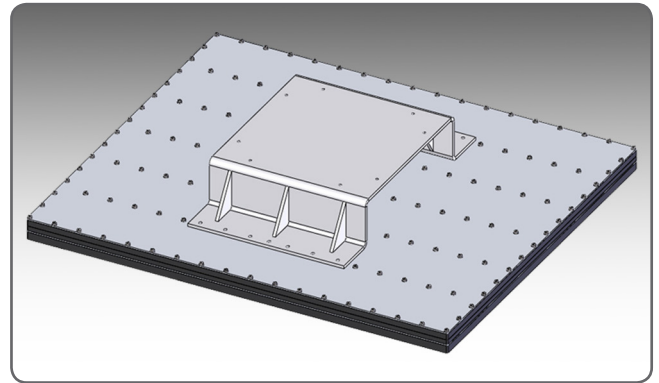
specifications are subject to change

Available Options



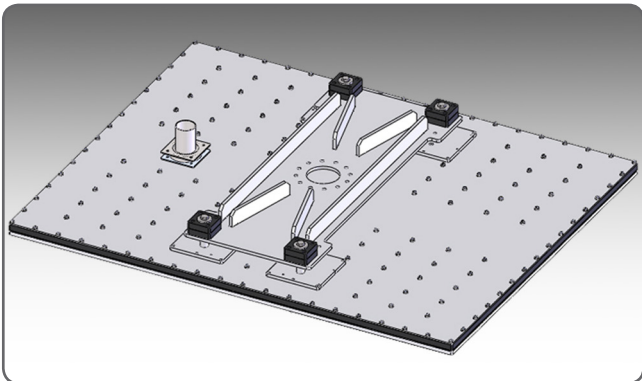
Flat plate attachment :

The most simple and economical way to attach the gripper to the robot



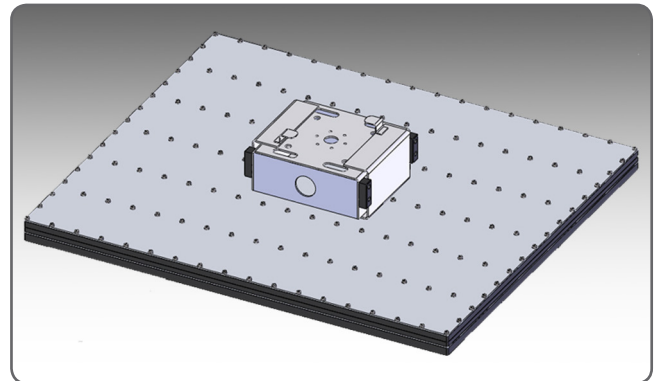
Raised attachment :

Fixed without the need to dismount the plate to install on the the robot



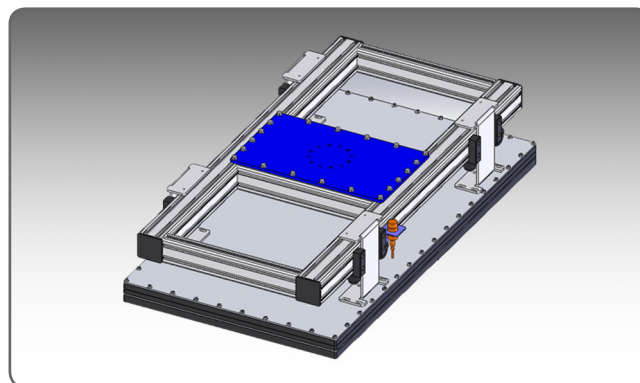
Floating attachment type 1 :

When vertical movement is needed between the robot and gripper



Floating attachment type 2 :

3 axis movement between robot and gripper. For twisted layer or products

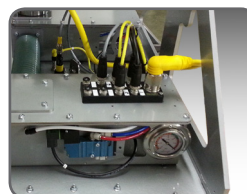


Floating attachment type 3 :
For multiple or long grippers
3 axis mount



Field Bus :

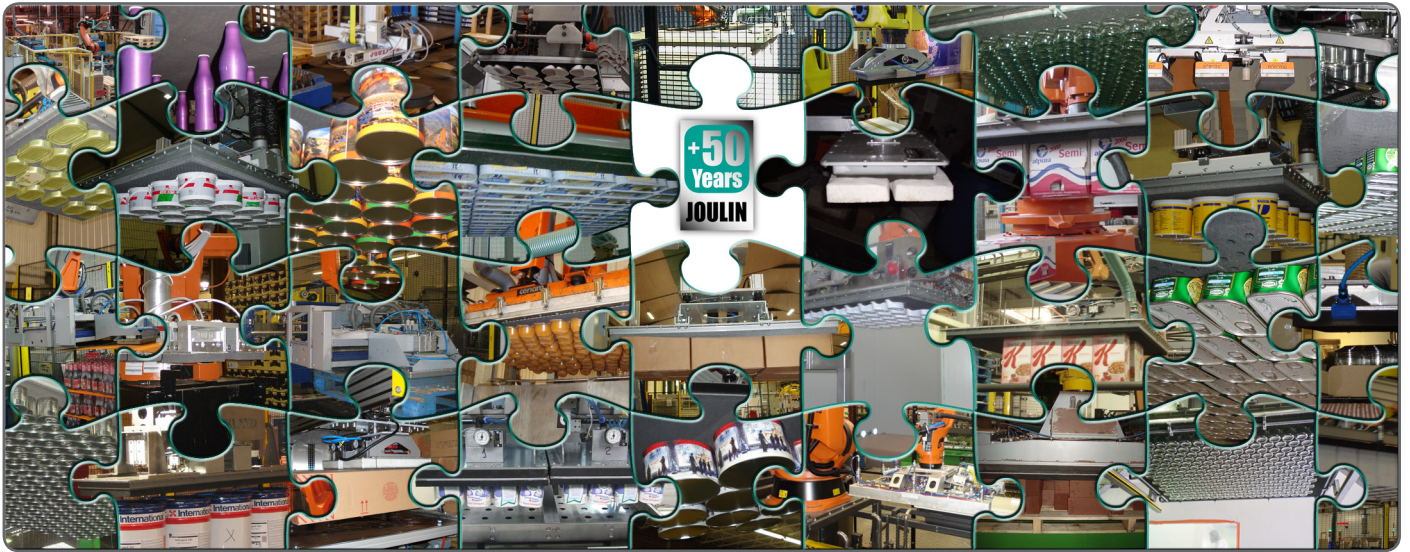
- Ready to use
- Different versions available



Electrical Connection :

- Sensors and all electrical equipments
- M12 connection (more on request)

JOULIN



USA :

2551 Hwy 70 West
HICKORY - NC 28602
Phone : +(001)828 327 2290
Fax : +(001)828 327 8678



<http://www.joulin.com>

Europe :

17 avenue des Grenots
F-91150 ETAMPES
Phone : +33 (0)1 69 92 16 16
Fax : +33 (0)1 64 94 21 35

E-mail : grippers@joulin.com

Have a problem handling your products ?

Team Joulin has 50 years of Research and Development resulting in better solutions, more options, and vacuum systems offering greater flexibility than ever before.