



JOULIN
vacuum handling

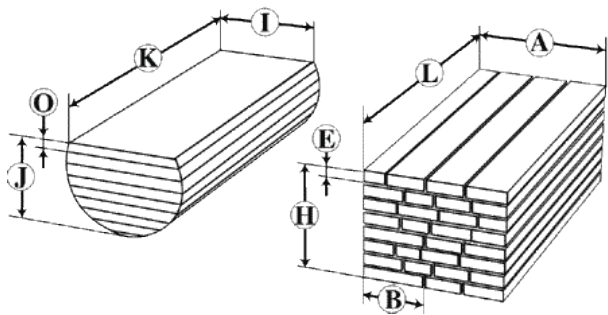
Questionnaire

tél. Europe +33 (0)1 69 92 16 16
 fax Europe +33 (0)1 64 94 21 35
 ph. USA +(1) 828/327-2290
 fax USA +(1) 828/327-8678
 email : wood@joulin.com
 www.joulin.com

From
 Company : _____
 Name : _____
 Address : _____
 City/State/Country : _____
 Phone : _____
 Fax : _____
 E-mail : _____

*Please answer the following questions and we will select the best solution suited to your needs.
 Fill the questionnaire and send it via fax or E-mail.*

About your product:



Describe product(s) to be handled: _____

Density: _____

Maximum weight of the layer: _____

Green: _____ Dry: _____ Dusty: _____ Sticks: _____



	I	J	O	K	B	A	L	H	E
Mini									
Maxi									

Even ended:

Centered:

Random:

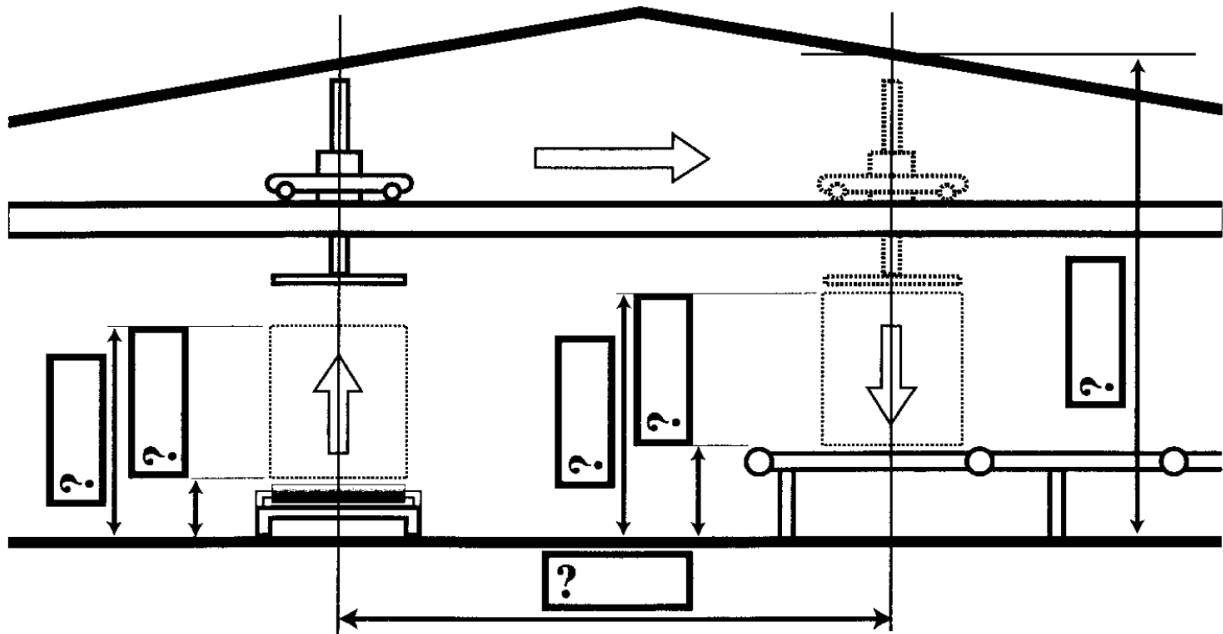
h/L: _____

h/B: _____

h/L: _____

E/L: _____

About your application:



Building roof clearance: _____

Number of cycles per minute: _____

Requested functions: _____

Remarks: _____

All our grippers are sized using Joulin's Griptech™ software benefiting from over 50 years of Research and experience with foam grippers

Notes: _____
