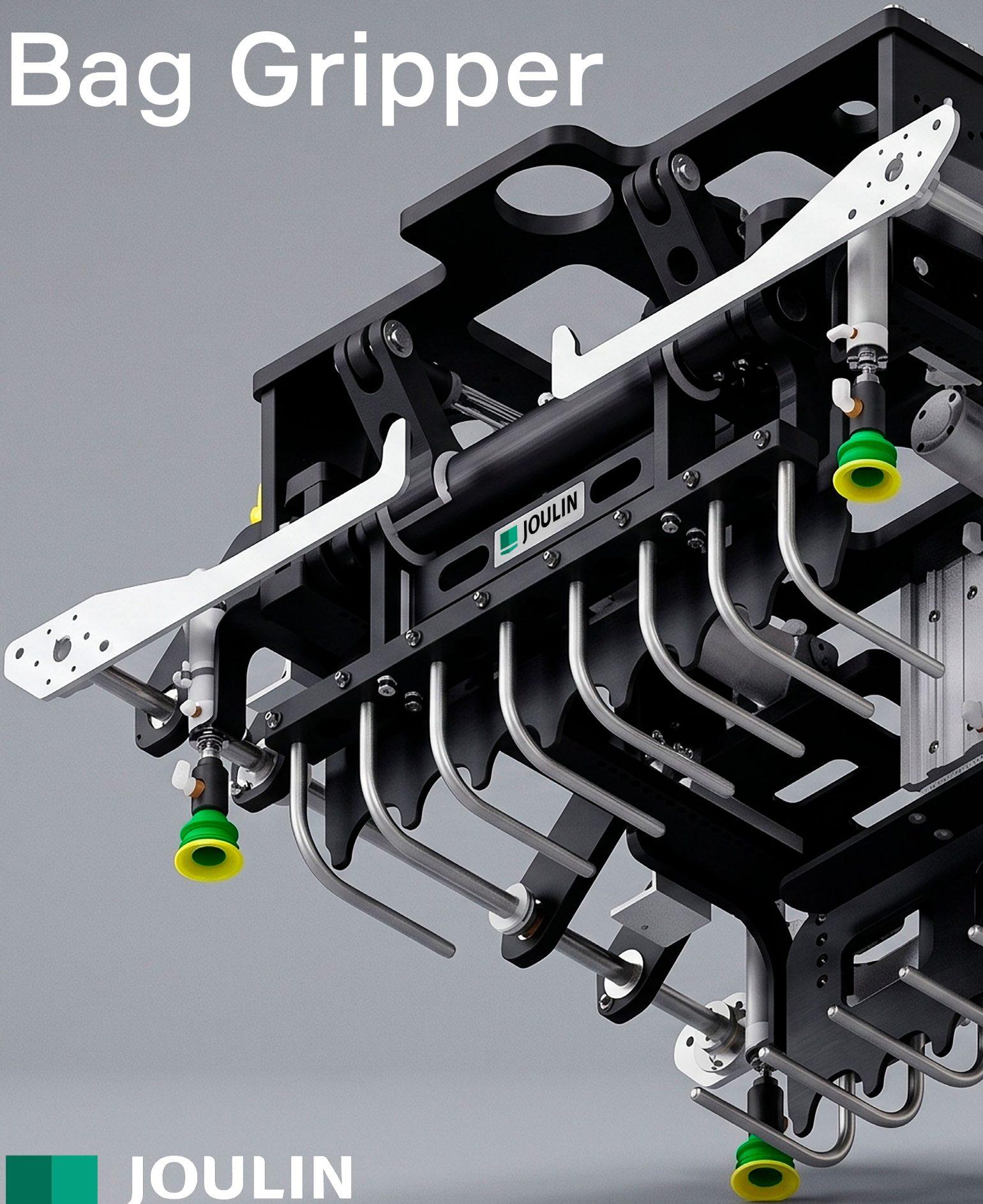


Bag Gripper



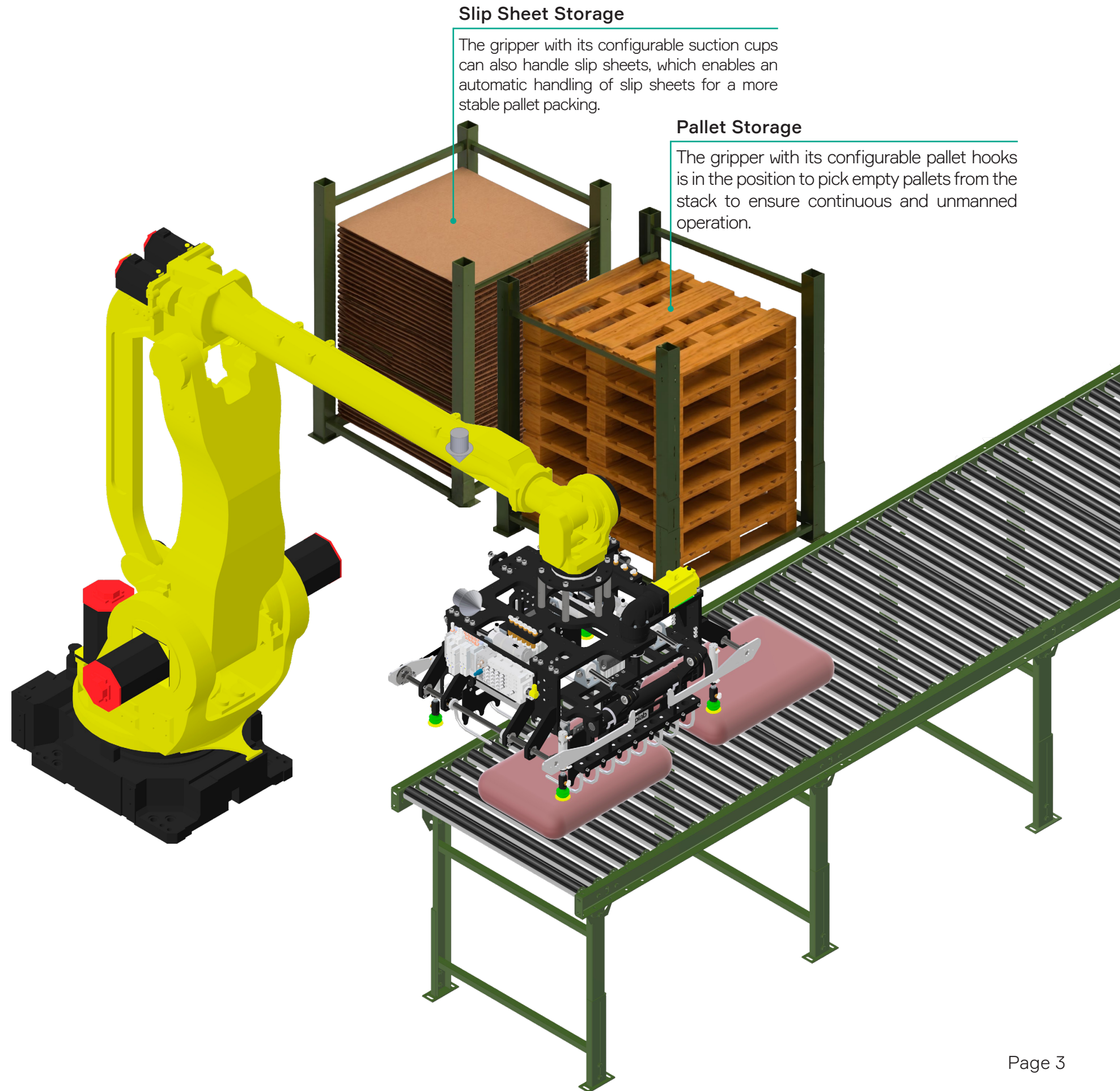
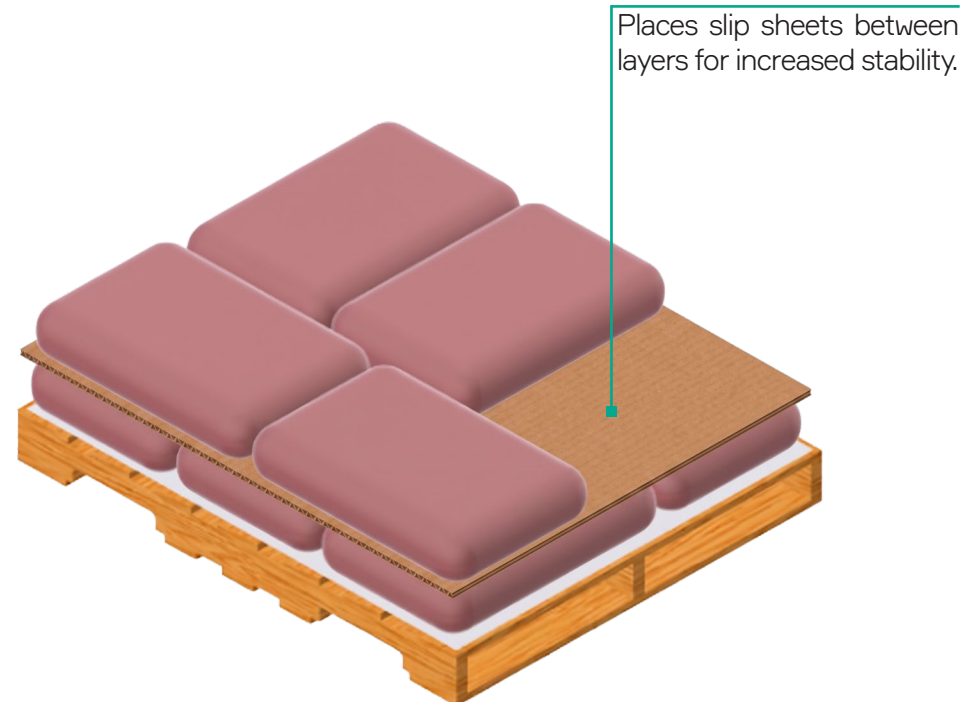
JOULIN
A brand by Piab Group

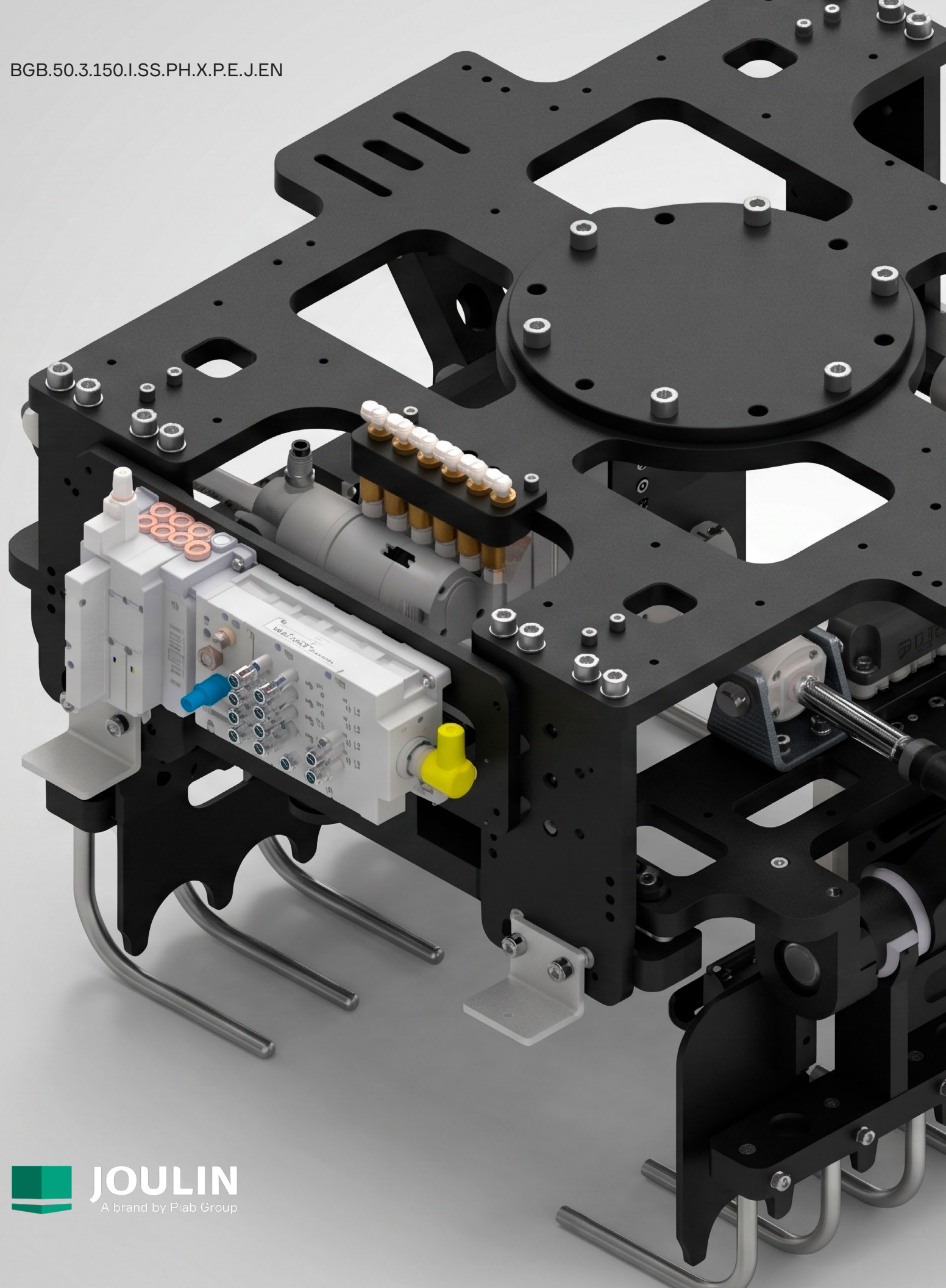
The Bag Gripper (BG)

Product line developed by Piab, is designed for the efficient handling of heavy bags in a variety of industrial automation applications. The line is engineered for performance, flexibility, and ease of integration into palletizing systems.

The Bag Gripper family is divided into three main models, each addressing different operational needs and levels of control:

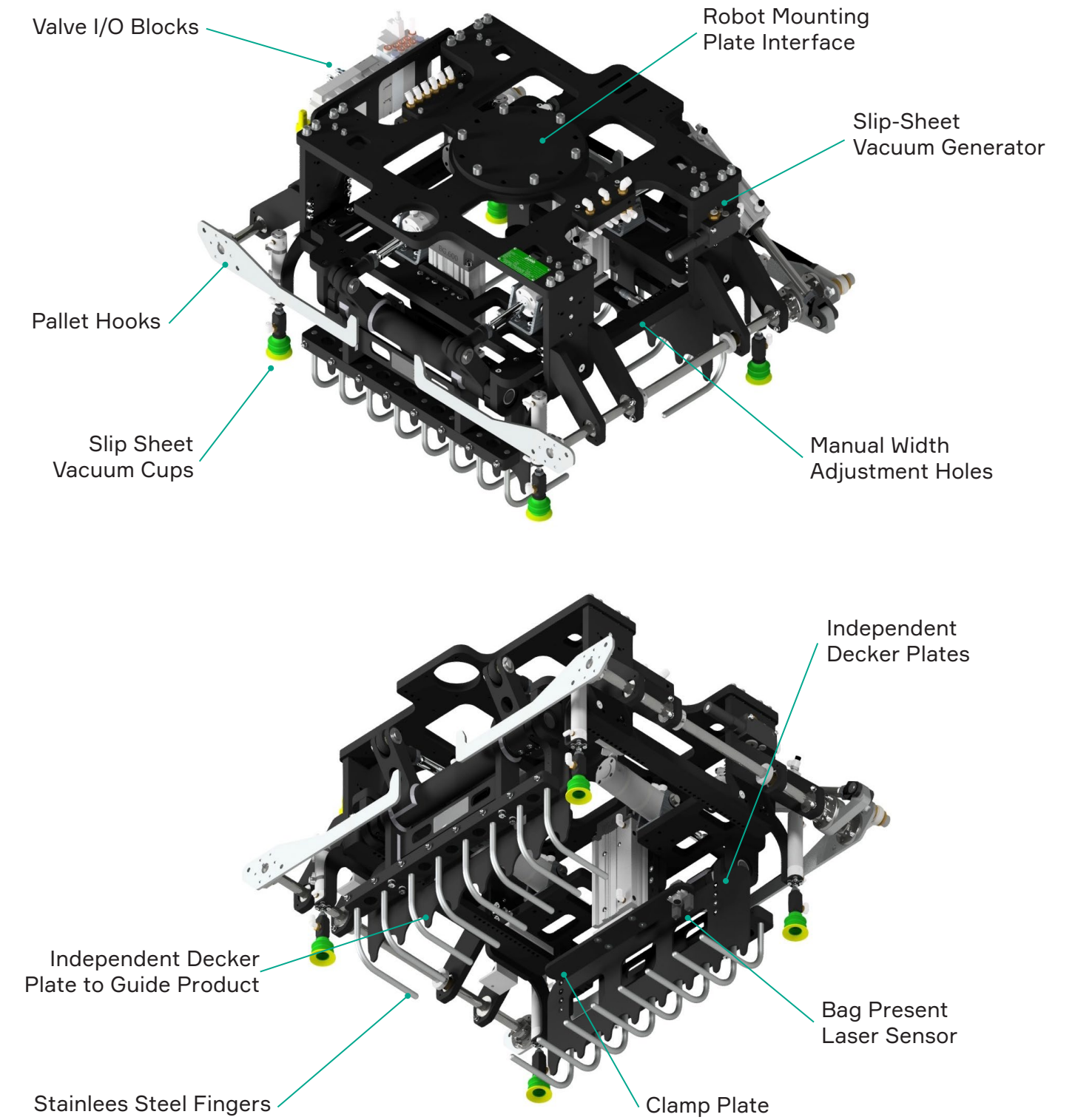
- 1. BGB (Basic):** Features manual adjustments for fundamental handling operations and is good for applications with a few SKU's.
- 2. BGH (Hand Wheel):** Equipped with mechanical hand wheels for more precise and tool-free adjustments.
- 3. BGS (Servo):** Integrates servo-driven adjustments for fully automated and high precision control. This option allows a robot to service more than 1 line with different bag sizes.

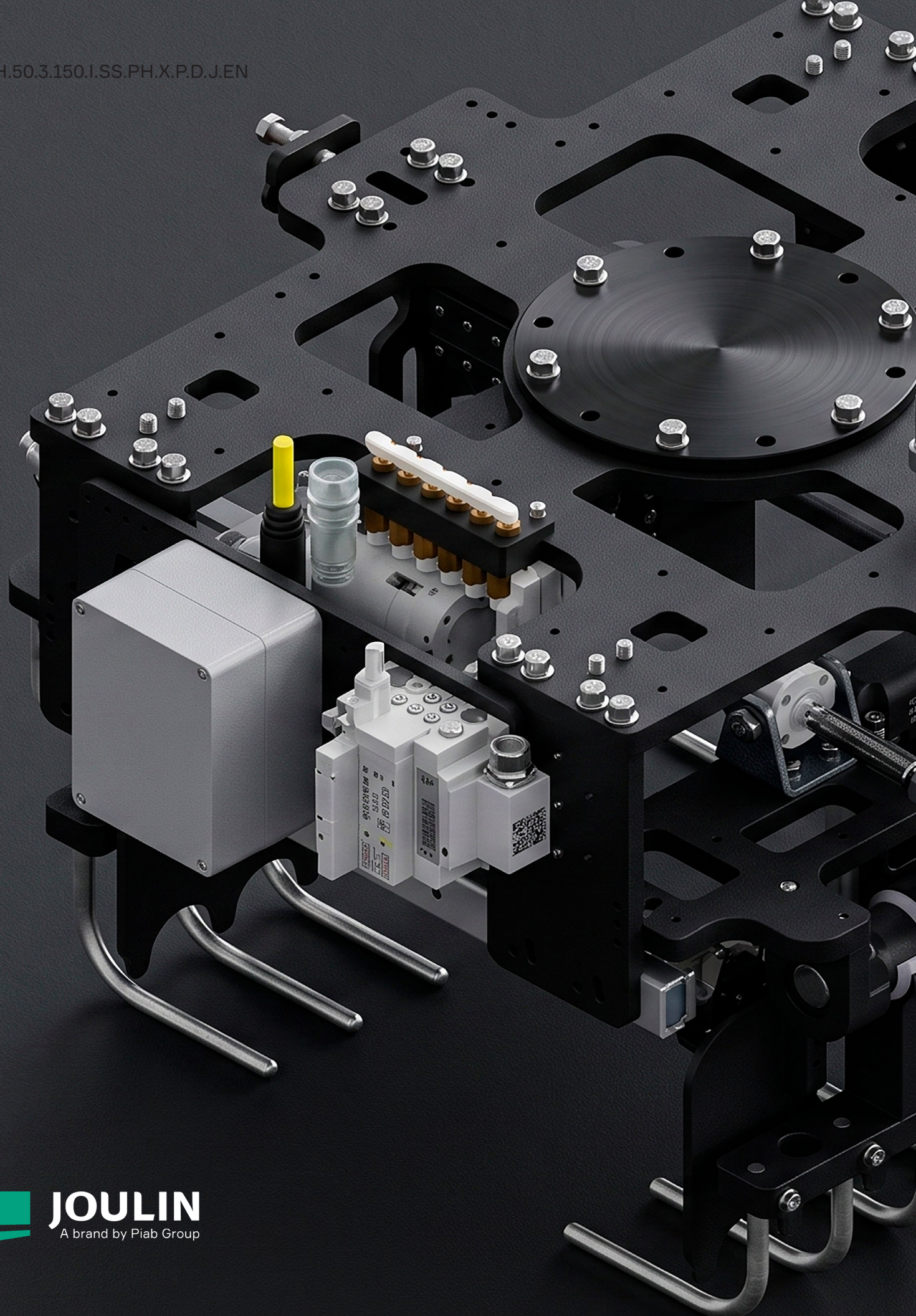




BGB (Basic)

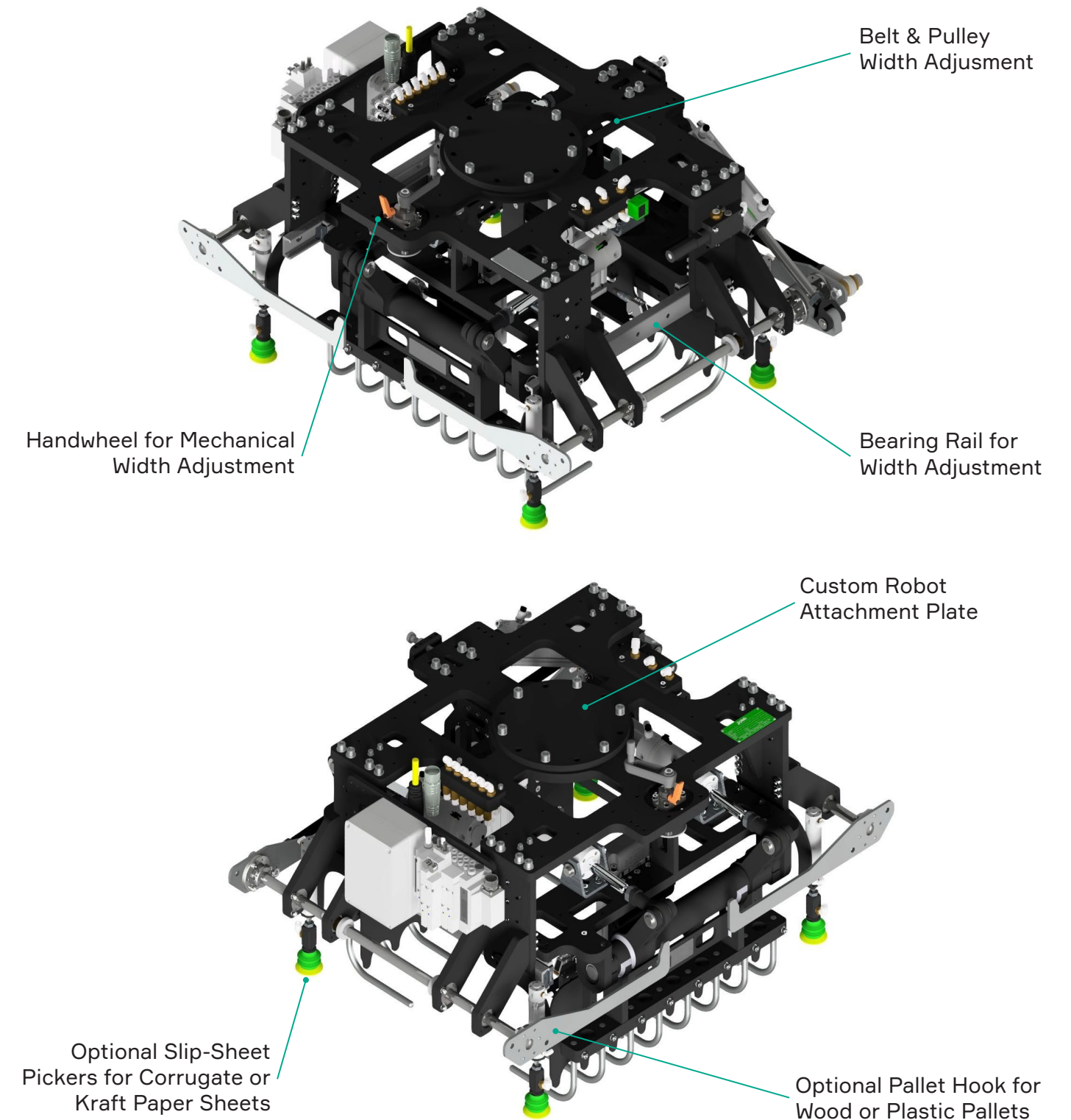
The BGB bag Gripper consists of the following main features:

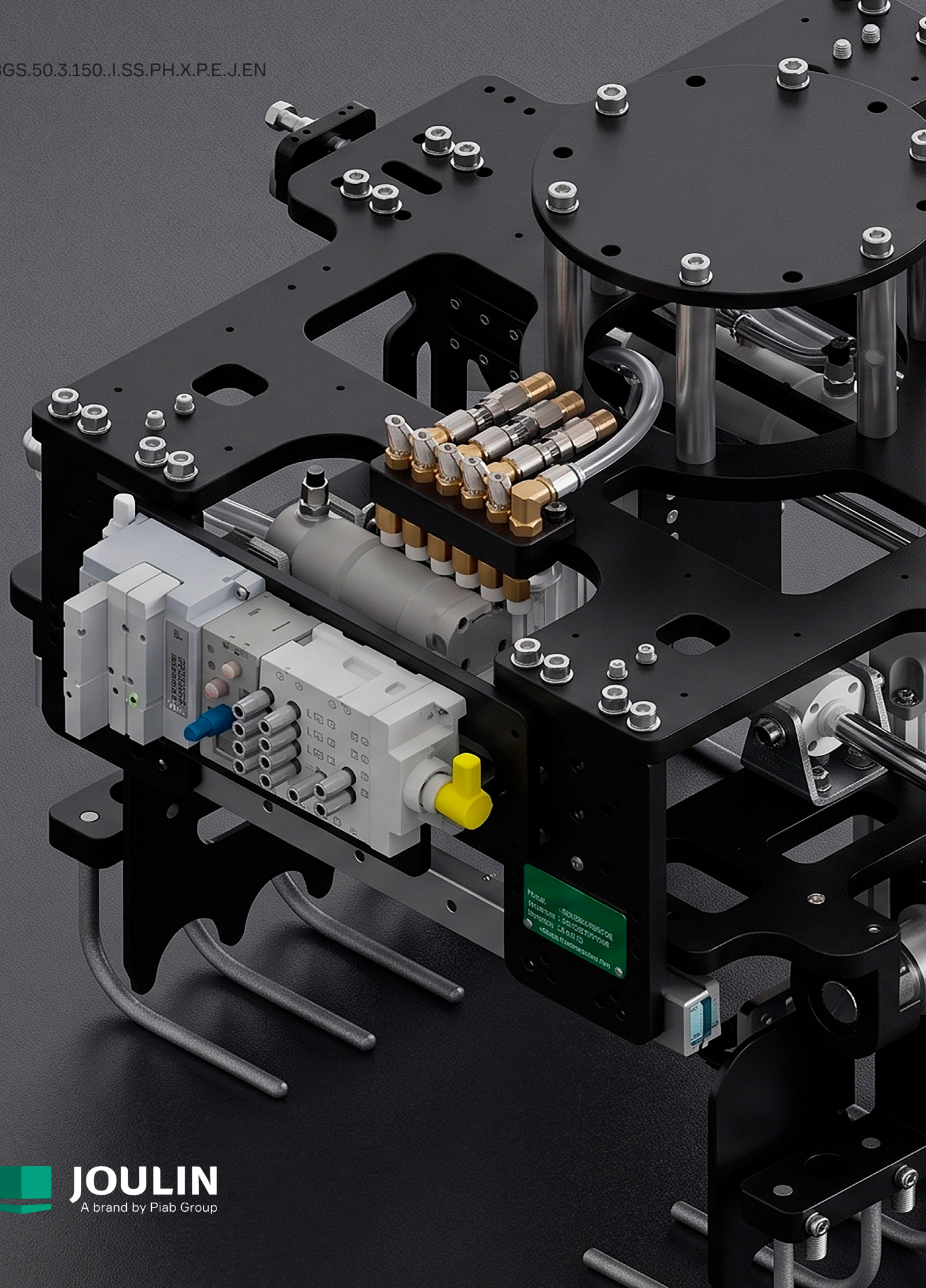




BGH (Handwheel)

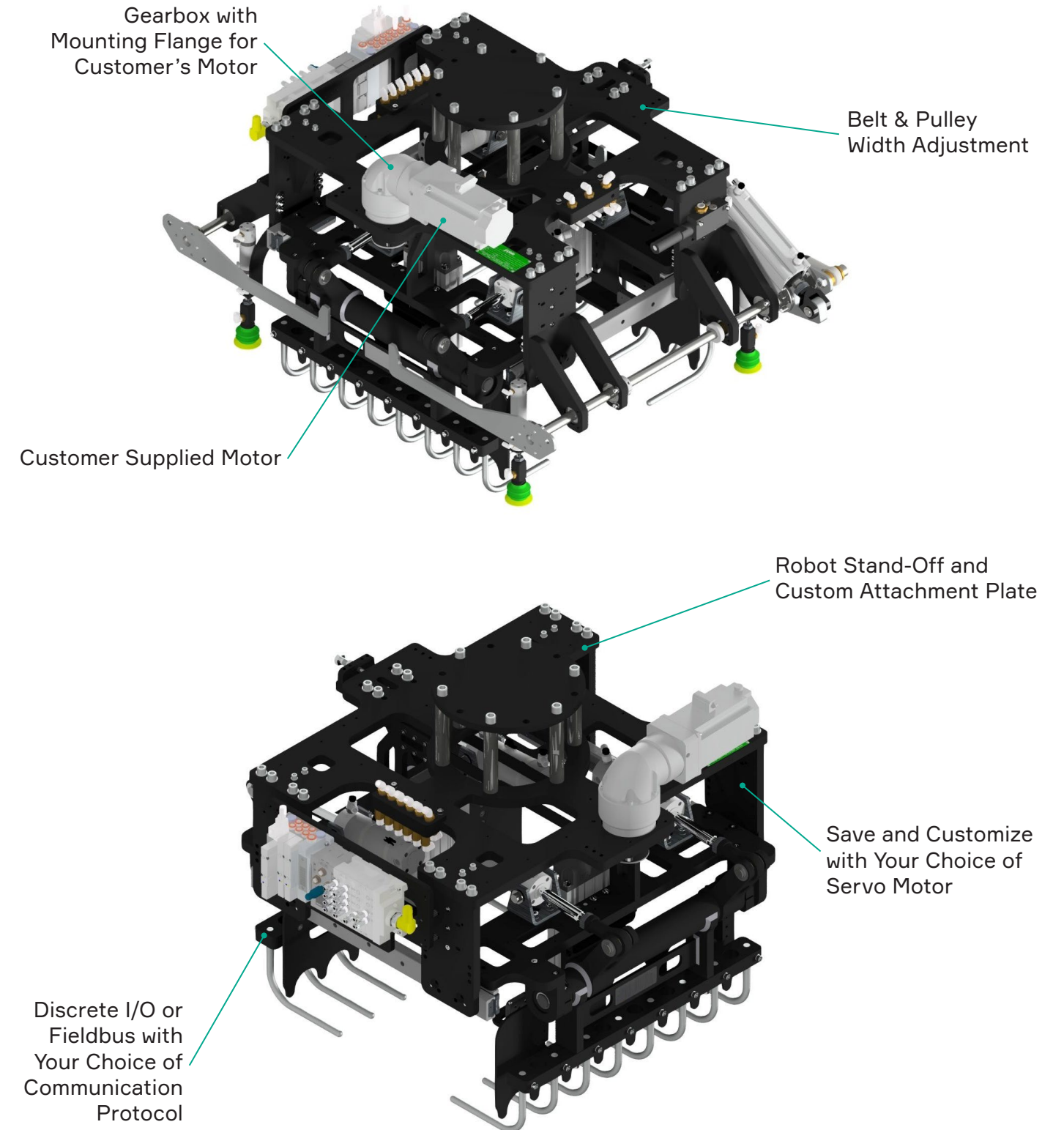
The BGH bag gripper with hand wheel and bearing rail, consists of the following additional features:





BGS (Servo)

The BGS (Servo) bag gripper with gearbox & bearing rail, consists of the following additional features:



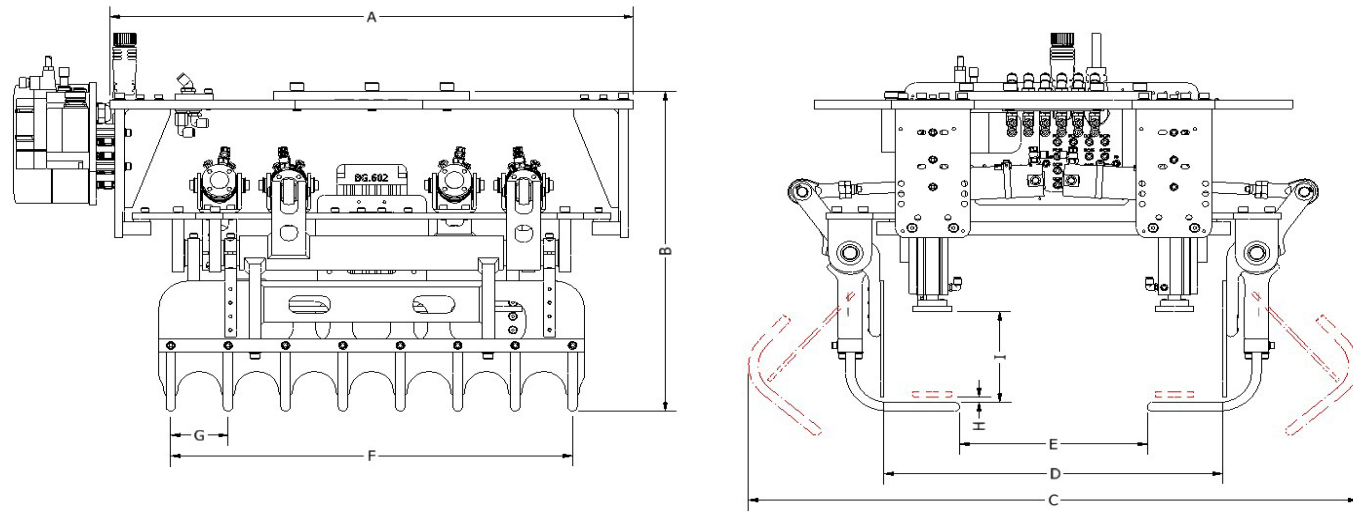
Configurable Options

Each of the three models is available in two payload sizes, supporting bags of up to 25 kg or 50 kg, ensuring a wide range of application suitability across industries.

Several configuration options are available for the bag gripper, enabling enhanced functionality and greater integration flexibility.

The gripper can be equipped with options that allow for the handling of tier sheets (slip sheets) and empty pallets, enabling full-layer palletizing cycles without the need for additional devices.

Other optional features include sensor type (PNP or NPN), dust ingress protection for dirty environments, electronic interfaces including digital I/O, Ethernet, and Profinet.



	A	B	C	D		E	
				Min	Max	Min	Max
BG_.25	695	470	810	225	450	25	250
BG_.50	705	540	875	250	500	10	260

	F			
	75 mm Pitch	3" Pitch	3-1/2" Pitch	90 mm Pitch
BG_.25	525	533.4	622.3	630
BG_.50	75	76.2	88.9	90

	G			
	75 mm Pitch	3" Pitch	3-1/2" Pitch	90 mm Pitch
BG_.25	75	76.2	88.9	90
BG_.50	75	76.2	88.9	90

	H				I			
	Position				Position			
	1	2	3	4	1	2	3	4
BG_.25 w/ 100mm Clamp Stroke	8	33	58	83*	108	133	158	183*
BG_.25 w/ 125mm Clamp Stroke	-	8	33	58*	108	133	158	183*
BG_.50 w/ 125mm Clamp Stroke	5	130	30	155*	55	180	80	205*
BG_.50 w/ 150mm Clamp Stroke	-	130	5	155*	30	180	55	205*

*Position 4 is only available for the BGB models. It does not apply to BGH & BGS.

Distance Between The Clamp Plate and Fingers (mm) - Minimum and Maximum Product Height								
Clamp Cylinder Mounting Position	1		2		3		4	
	Min	Max	Min	Max	Min	Max	Min	Max
BG_.25 w/ 100mm Clamp Stroke	8	108	33	133	58	158	83	183
BG_.25 w/ 125mm Clamp Stroke	-	108	8	133	33	158	58*	183*
BG_.50 w/ 125mm Clamp Stroke	5	130	30	155	55	180	80	205
BG_.50 w/ 150mm Clamp Stroke	-	130	5	155	30	180	55*	205

*Position 4 is only available for the BGB models. It does not apply to BGH & BGS.

Key Features & Benefits

Modularity
Thanks to its modular design, the gripper can be easily adapted even at a later stage. In addition, the modularity enables fast maintenance with short lead times.

Servo-Driven Adjustment (BGS)
Automatic servo-controlled positioning for precise handling of multiple bag formats.

Easy Configuration
Modular design with configurable options eliminates custom engineering and reduces deployment time.

Fast Lead Time
With our configurable gripper, you benefit from extremely short delivery times, and all required CAD data and documentation are quickly provided.

Integrated Pallet & Slip-Sheet Handling
Configurable suction cups and pallet hooks enable fully automated palletizing cycles.

Broad Application Coverage
Available in 25 kg and 50 kg payload classes for bag widths from 215–500 mm.

Flexible Integration
PNP/NPN sensors, digital I/O, Ethernet, and Profinet support seamless system integration.

Reliable Bag Handling
Four finger spacings and four clamp cylinder positions ensure compatibility with diverse bag and conveyor configurations.

The Joulin Advantage

Every Joulin Bag Gripper is backed by a dedicated **Project Engineer** who supports your project from concept to commissioning.

Using your actual products, the Joulin team can perform gripping tests, validate performance, and help select the optimal gripper configuration.

Support also includes robot recommendations, a dress pack design, ingress protection, accessories, and complete palletizing cell guidance.

More Than Just a Gripper



More than an end-of-arm tool, Joulin delivers a complete palletizing solution backed by proven application expertise.

Contact a Joulin Project Engineer Today!

+1 828-327-2290
info@joulin.com



JOULIN

A brand by Piab Group

USA

2551 Hwy 70 SW - Hickory
N.C - 28602

Tel. +1 828 327 2290

Fax. +1 828 327 8678

FRANCE

17 Avenue des Grenots
F - 91150 Etampes

Tel. +33 (0) 1 69 92 16 16

Fax. +33 (0) 1 64 94 21 35



www.joulin.com

Joulin - A brand by Piab Group

