



## 2.5 Palletizing bags of insulation

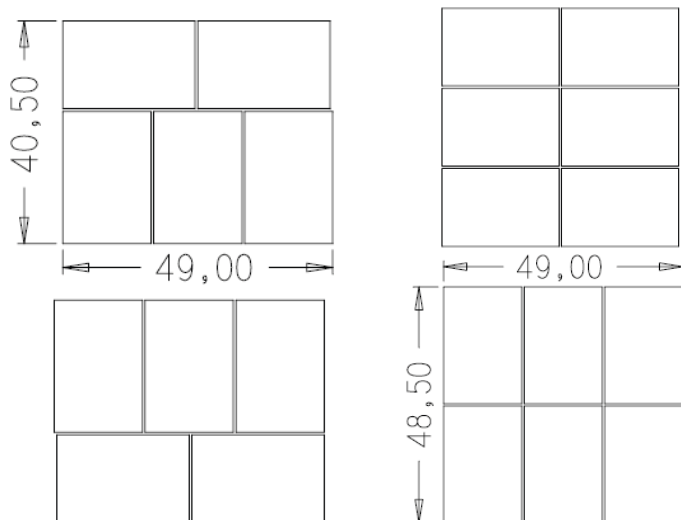
BC-AI-03-2018-2.0

### THE CONTEXT

<b>Date of Delivery*</b>	January 2018
<b>Built Location*</b>	USA
<b>Competitors*</b>	-
<b>Application Location</b>	-
<b>Application</b>	Palletizing
<b>Type of «Manipulateur»</b>	Robot
<b>Brand of Robot*</b>	ABB IRB6650S 3.0 200kg
<b>Products Picked</b>	Bags of Insulation Slip Sheets
<b>Kind of Products</b>	Layers of products
<b>Products characteristics</b>	See below
<b>Palletization Patterns*</b>	See below

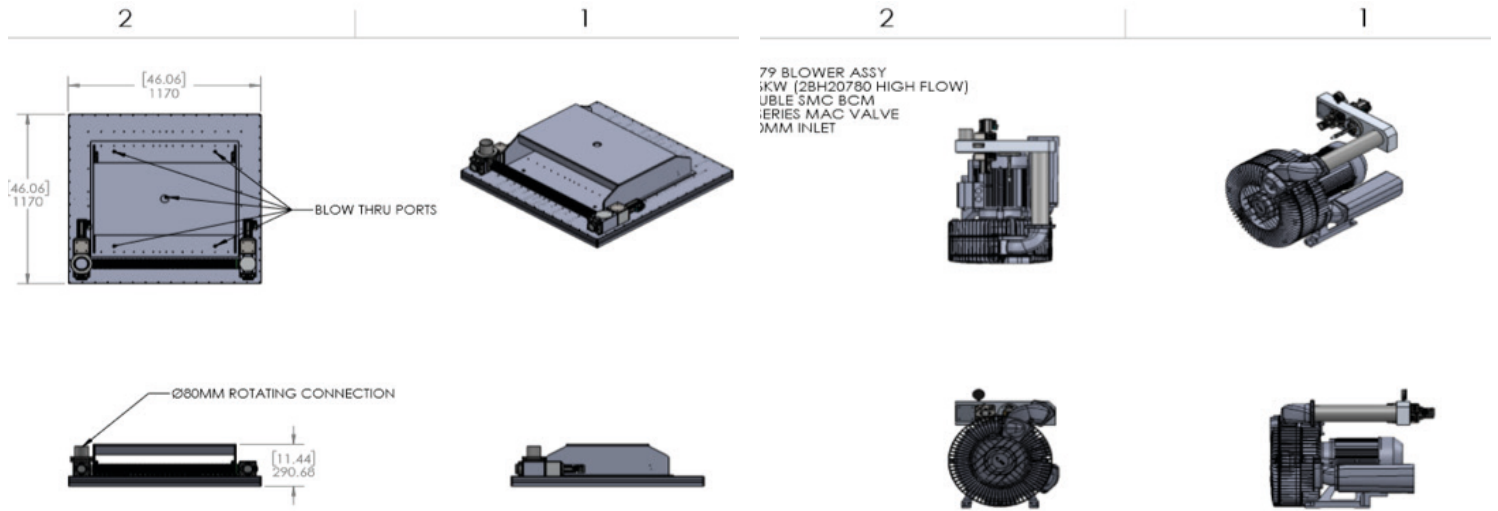
### OUR SOLUTION

<b>Gripper / Product Range</b>	Custom gripper
<b>Size of the Gripper</b>	1170mm X 1170mm
<b>Weight</b>	127 kg
<b>Technology</b>	Valve Gripper
<b>Foam Thickness*</b>	Double 40mm foam to Seal Around the Bags
<b>Valve/Port Sensitivity*</b>	8mm PU Valves for Low Sensitivity
<b>Vacuum Generator</b>	12.6 kW High Flow
<b>Options</b>	Without option



# Palletizing

bags of insulation



## THE BENEFITS

**Main Benefits** Turnkey solution all in one for picking the Insulation Bags and the Slip Sheets

**Results** Very good results in terms of product handling

