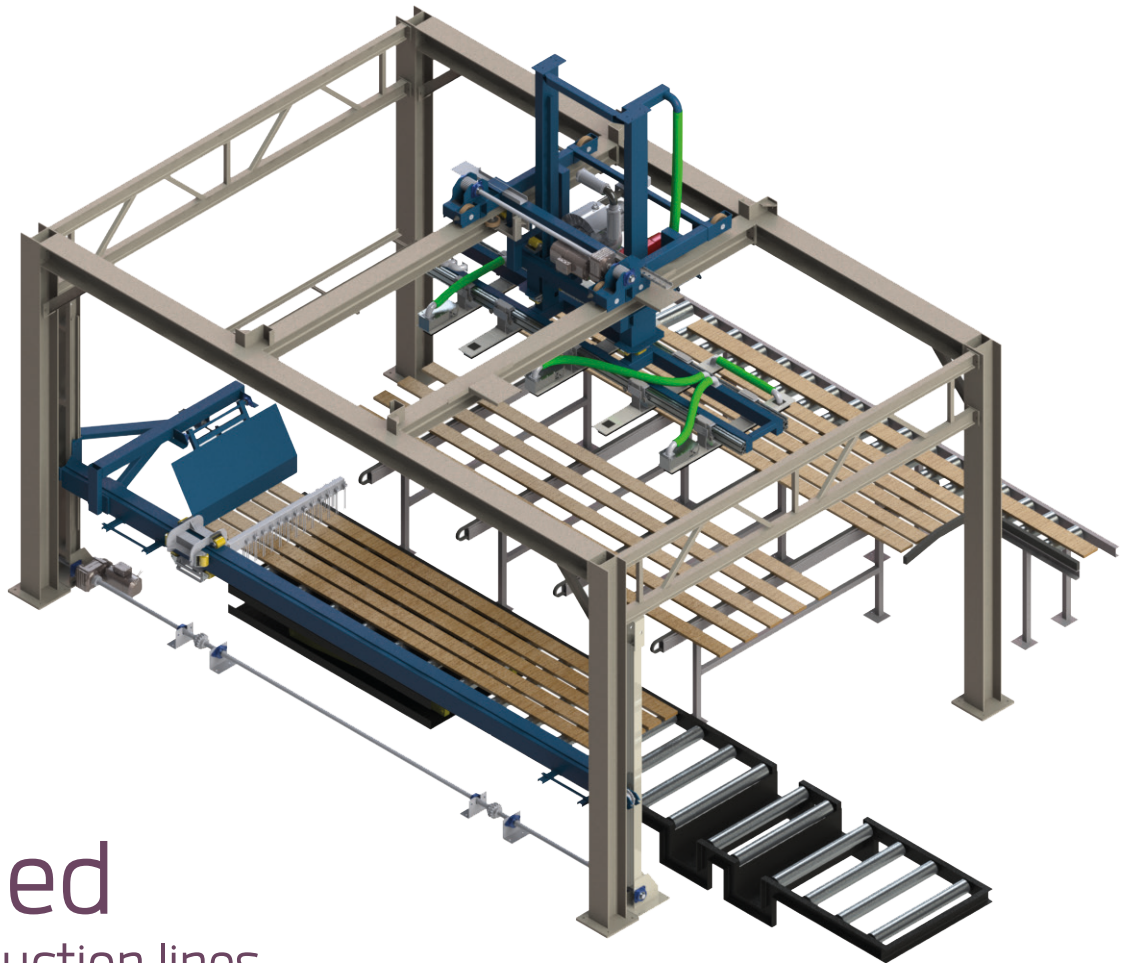




Infeed / Outfeed



Infeed of production lines

CONCEPT

JOULIN AERO, a world leading specialist in vacuum handling systems for over 50 years, proposing innovative solutions for all your handling needs:

- Stacking / destacking with multiple pick and place positions possible.
- No adjustment necessary depending on the product.
- Speeds up to 10 cycles/min.



Innovative solutions for your handling projects

Infeed / Outfeed

Customized handling solution.

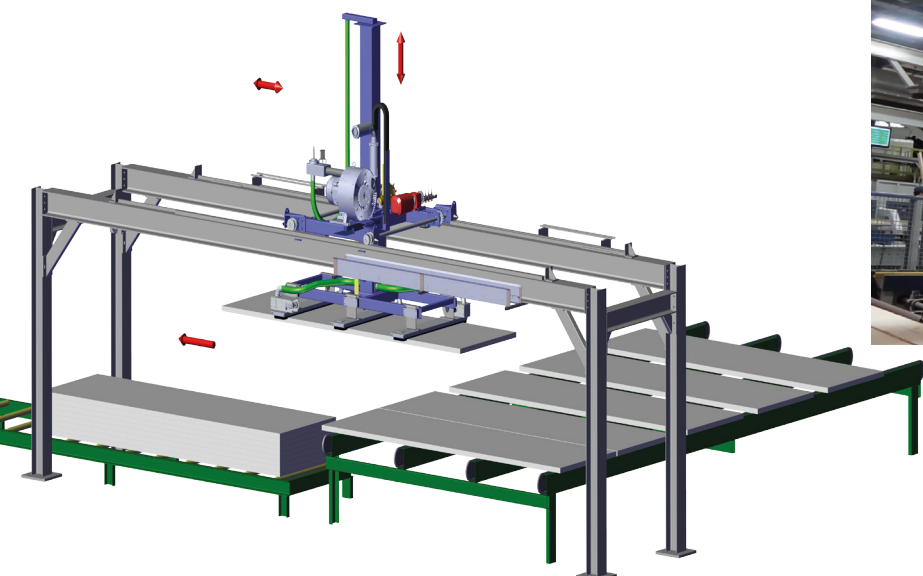
Joulin offers systems from the simplest to the most advanced, according to your needs and your budget.

Applications

- Automatic infeed / outfeed systems.
- Handles warped, grooved and molded parts as well as those with splits and holes.
- All species of wood: green or dry.

Benefits

- Handles without damaging boards or layers.
- Designed and manufactured in-house.
- Wide range of manipulators: from simple and quick to complex systems.
- Many options available.
- Easy to install and use.
- Automatic desticking available.



Europe

17 avenue des Grenots
91150 ETAMPES - FRANCE

Tél. +33 (0)1 69 92 16 16
Fax +33 (0)1 64 94 21 35

USA

2551 HWY 70 SW - HICKORY
NC-28602

Phone: +1(828) 327 2290
Fax: +1(828) 327 8678



JOULIN
vacuum handling

contact: wood@joulin.com

www.joulin.com