



ALL INDUSTRIES

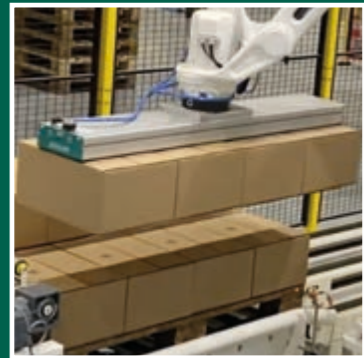
Industrial Handling

Vacuum Handling



Vacuum Handling

Handling Solution for all Your Products



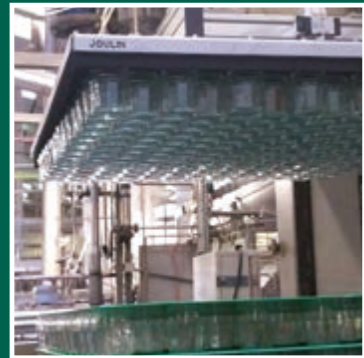
CARTONS



BRICKS



CANS



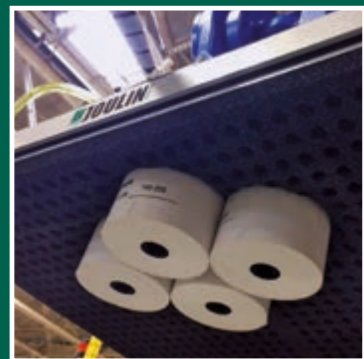
GLASS JARS



WRAPPED PRODUCTS



TINS



ROLLS



YOGURTS



WOOD



BAGS



AEROSOLS



VARIOUS



Inventor of the foam vacuum gripper

JOULIN, a family-owned business for 60 years, continues to pioneer advances in vacuum technology today.

Whether you are picking a **complete layer, partial layer or single part**, the JOULIN foam gripper automatically senses and closes the check valves in areas without product, **allowing the same gripper to be used with no additional set up or re-programming.**

From grippers to complete turn-key vacuum handling systems, Joulin is flexible and offers a quick response to supply the best solution for you.

With **manufacturing and design facilities in Europe and the USA**, see for yourself why **60 countries** and counting trust JOULIN for their handling projects.

François & Laurent Joulin



Technology

VG

- Independant valves system
- + Constant vacuum level
- + No adjustment needed

PG

- Calibrated holes system
- + Economical solution
- + High speed production rates

FV

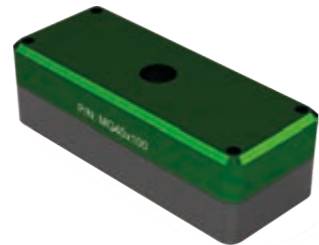
- Foam valve
- + Open top or concave products
- + Adapted for all sizes

BG

- Perimetrical seal
- + Handling of bags
- + Handling of wrapped products

Our grippers are protected by several exclusive brands and patents

Standard range



Minigrip

Round or rectangular, they will effectively replace vacuum cups on difficult products. Adaptation on existing material.



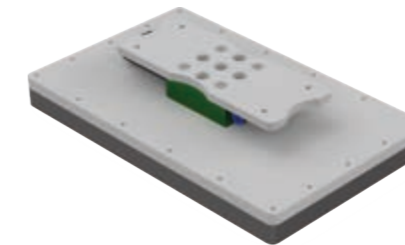
Flexigrip

With integrated or external vacuum generation, it will be the solution for your pick & place applications. Easily adjustable and evolutive according to your needs.



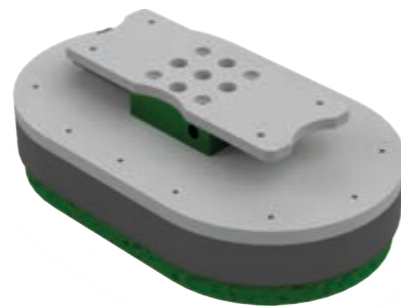
Safe & light

The COBOT gripper. Naturally adapted for collaborative application with the foam body. Safe&Light lift up to 20 times its weight



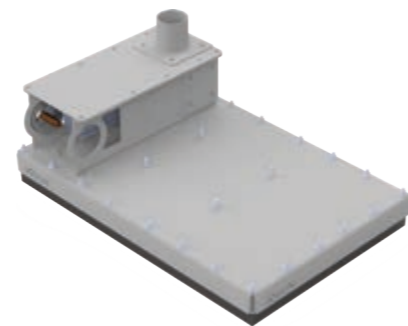
Value gripper

The most economical solution for your products applications with almost total coverage. Adjustable vacuum generation.



Bag gripper

Designed for handling bags or wrapped products. Adjustable vacuum generation to your bag sizes.



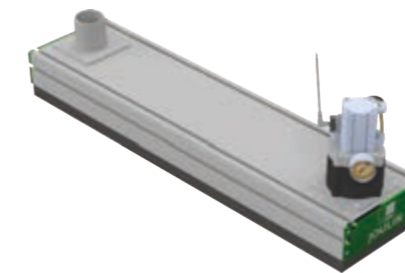
Palletizer Pro

The Vacuum power stays constant, whether you take complete layers or unit products. Adjustable lifting capacity.



Lumber gripper

The ideal gripper for wood handling. Not sensitive to dust.



Extrugrip

For unit modular handling by rows or by layers. They are juxtaposable and adaptable in length.

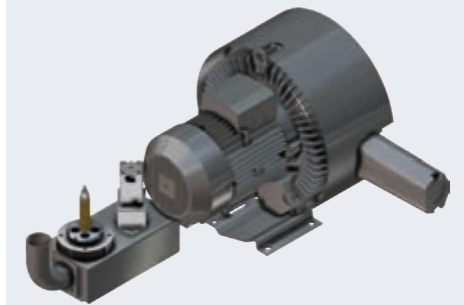
zoom in...

Vacuum generator



INTEGRATED WITH VENTURI

The internal vacuum supply is generated by Venturi ejectors integrated on the gripper.



EXTERNAL

The external vacuum supply is generated by an internationally known brand blower having the best compromise vacuum power / flow.

	Dimensions (mm)				Weight (kg)		Maximum holding force (N)*	Technology				Vacuum generator		Kind of handling				
					min.	max.		VG	PG	FV	BG	Integrated	External	Unit	Batch	Layer		
MiniGrip	Ø 25 to 70 mm		20x80/20x120		40x60 / 40x100		0,023	0.118	59	●	●			●	●			MiniGrip
FlexiGrip	Ø 80	80x80	Ø 100	120x120			0.4	1	210	●	●	●	●	●	●			FlexiGrip
Safe & Light	120x240		160x320				0,72	1,08	580	●	●	●		●	●	●	●	Safe & Light
Value Gripper	100x250	150x300	200x350	250x400			1.55	5.65	2 117		●		●	●	●			Value Gripper
Bag Handler	Ø 150	230x380	330x480	430x580			1.2	10.8	2 666				●	●	●			Bag Handler
Palletizer Pro	400x600	500x1300	900x1300	1100x1300			12	72	40 000	●	●	●	●	●	●	●	●	Palletizer Pro
Lumber Gripper	100		160					Depends on size		Depends on size	●			●	●		●	Lumber Gripper
ExtruGrip	Width 125 or 200 mm - Length from 250 to 1800 mm (other lengths available on request)					Depends on size		Depends on products			●	●		●	●	●	●	ExtruGrip

*Capacities given as a design help

Benefits

Joulin adapts to your needs

- **Your dimensions :**
Pick and release of products individually with specific vacuum zoning possible.
- **Your products :**
Joulin vacuum grippers can turn horizontally or vertically during the picking of the products
- **Your problematic :**
Simple and durable design, JOULIN grippers are easy to install and require little maintenance.



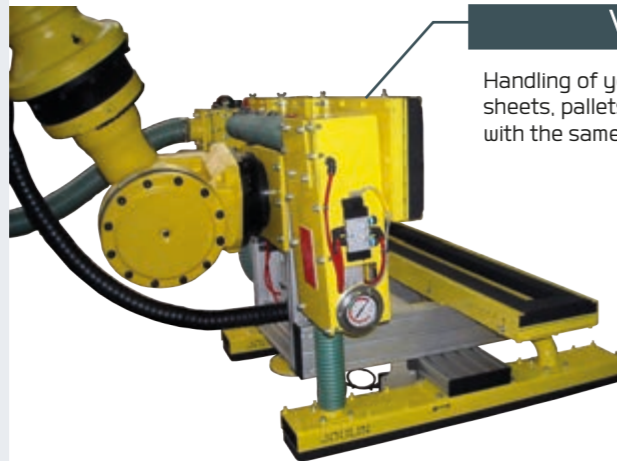
Custom specialists

JOULIN has thousands of successful applications in all the industries : wood, food, cosmetic, pharmaceutical, logistics...

Our organization based on binomial business engineers and managers of studies guarantees a real consulting capacity, as well as the design and delivery of the most suitable solution within a nominal timeframe.

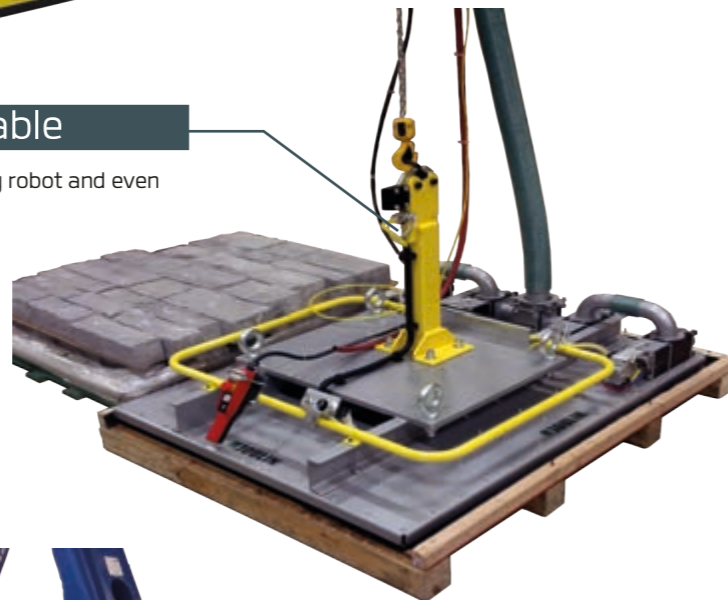
Custom range

Versatile, rugged
According to your needs, your dimensions



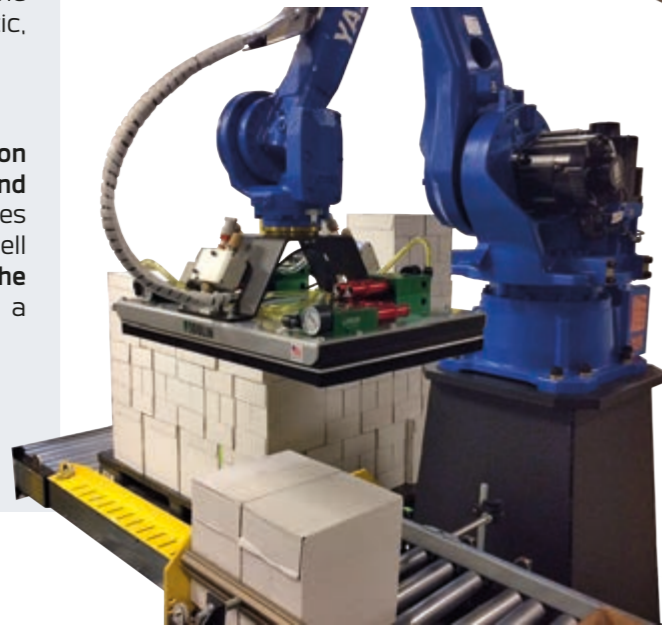
Versatile

Handling of your products including slip sheets, pallets and many others, with the same tool.



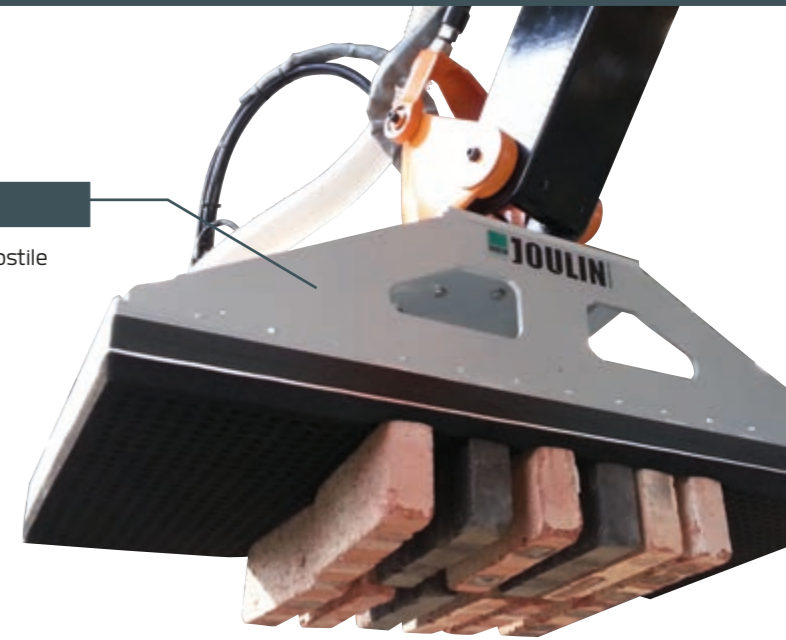
Adaptable

Usable on robot, gantry robot and even for a handling help.



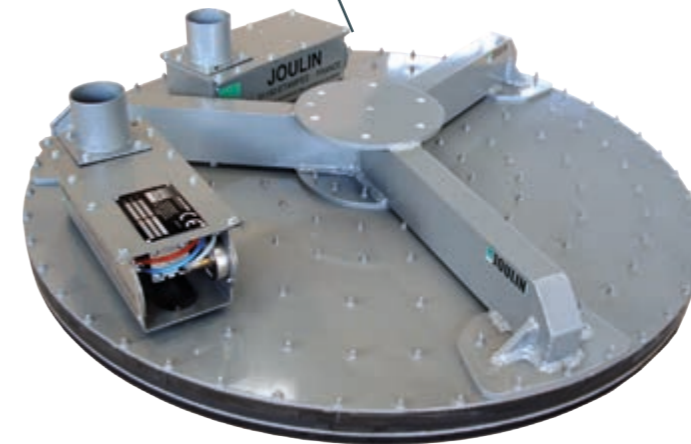
Rugged

Designed to work in unfriendly, hostile environments.

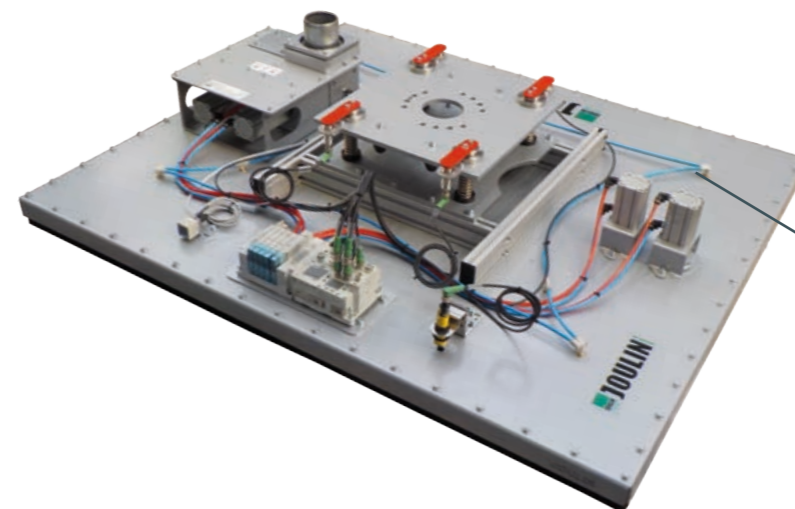
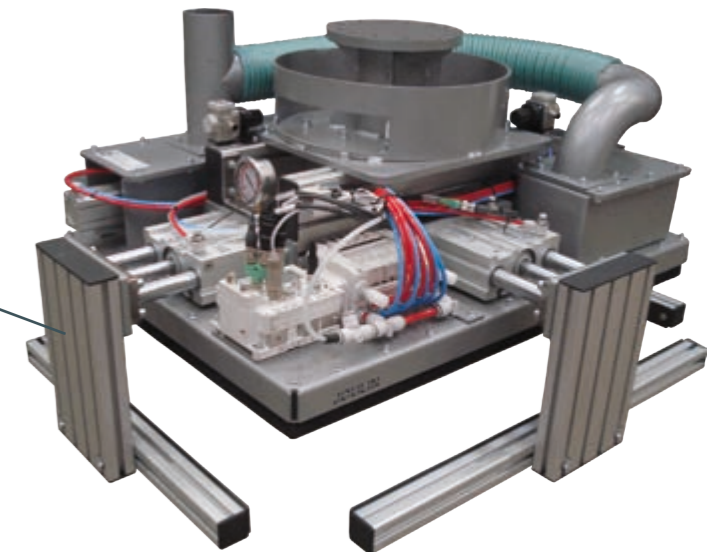


Your dimensions

Round, square, rectangular or other - we customize the tool to your desired size.



According to your request



Our solutions

From the gripper alone to a complete plug & play solution.

Options

ROBOT ATTACHMENT

Diffrent versions available, fixed or mobile. Easy to install on robot. Allows to compensate layers deformation with the foam. Custom height possible.

ROTATING CONNECTION

Built on picking module or directly on the gripper.

ANTI-COLLISION SYSTEM / COMPLIANCE

Compensates layers deformations. Allows programming of heights of layers. Easy to install on robot.

PNEUMATIC MODULE

Regroups compressed air distribution and input/ouput sensors.
Many communication protocols available: CC-Link, Ethernet/IP, etherCAT, Pro Net, Pro Bus DP, Device Net, Can Open.

ZONING

Used for the release of partial layers according to precise palletizing schemes..
Many versions available.

CLAMP

With rotating cycinders for a retractable assembly.

BLOW-IN – BLOW-THROUGH

Blows compressed air inside the gripper for a quick release of large layers.
Blows compressed air through the gripper directly onto the products for quick release of slip sheets or lightweight products.

PRESENCE DETECTION

M12 photo-electric proximity sensor or inductive proximity sensors.
Ultrasonic sensors for a fast approach on the layers.
Lazer sensors for detecting layers.

BOLSTER

Supports products during acceleration. Layers conformation

SLIP SHEETS PICKING

By retractable or rotating cylinder for minimum bulk.





Applications

Handling/Palletizing all products



Carton

- Handling of cartons, pallets and slip sheets.
- Partial, uneven layers.
- Multiple product dimensions.
- Products with flaps, glues or straps.
- Dusty environment.



Glass Jars

- Infeed / outfeed of glass jar layers.
- Picking / releasing of slip sheets.
- Different shapes and dimensions of products on the same application.
- Uneven layers.



Cans

- Palletizing or depalletizing layers of cans.
- Uneven layers.
- Steel, aluminum... products.
- Different sizes of cans.
- Handling of slip sheets.



Tins, Barrels and Buckets

- Handling of plastic, steel, aluminum... containers
- Difficult or thick lids, significant difference in level between the center of the lid and the edge.
- Different sizes of products on the same line.
- Products wrapped under a heat-film.

All products, all industries

Whether your products are light or heavy, wrapped or inside a carton, packaged by units or layers, on a pallet or conveyor, dry or wet, we have the gripper that's capable of handling it.

A complete range of standard grippers and the ability to design on request « custom » grippers allows us to provide you the most suitable solution. From our industrial plant in France and the USA, we have supplied thousands of installations all over the world.

We Handle it All !



Materials

- Building materials (bricks, cinderblocks, tiles...).
- Partial, uneven layers.
- Different sizes of products on the same line.
- Dusty environment.



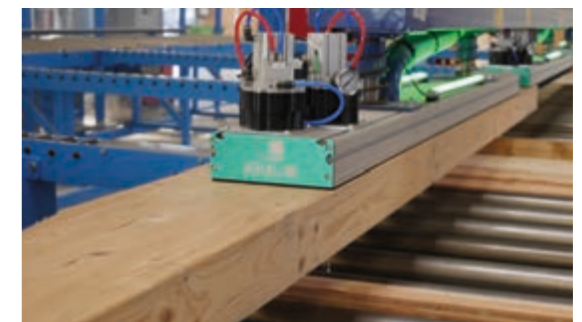
Bags

- Stacking or destacking of bags containing cement, shavings, pellets ... by layer or by unit
- Several materials and filling
- Different sizes of bags
- Dusty environment.



Wrapped products

- Palletizing or depalletizing layers of wrapped, packaged... products in the middle or end of production line.
- Uneven layers.
- Different sizes of products.
- Handling of slip sheets and pallets.



Wood

- Handling of boards, doors, furniture elements, parquet boards, chipboard...
- Different sizes of products.
- Uneven layers.
- Elements with openings, grooves, etc. randomly placed on the product.
- Dusty environment.

Joulin Foams

Performance guaranteed

A suitable foam (porosity, elasticity...) is the guarantee of **efficient economical handling** (durability and maintenance costs).

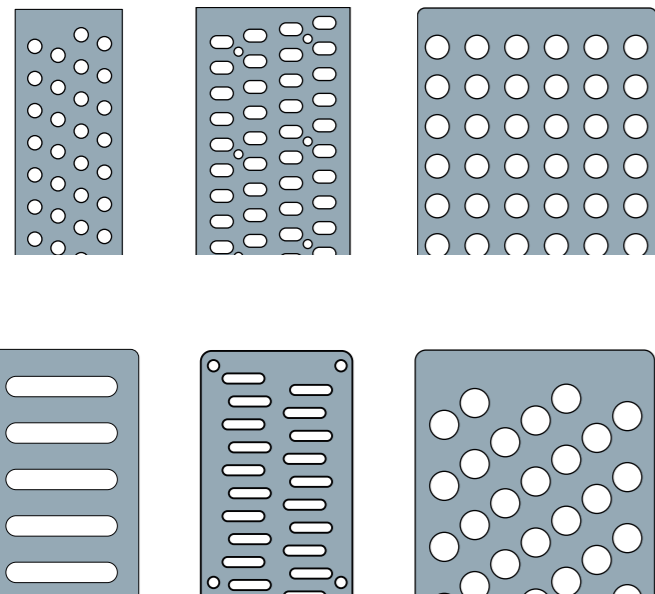
Our expertise and cutting sites in Europe and the USA allow us to guarantee quality at the best price and the most efficient service.

Our experience in the wood industry allows us to develop and produce the most suitable foam for your gripper and the products to be handled.

BENEFITS

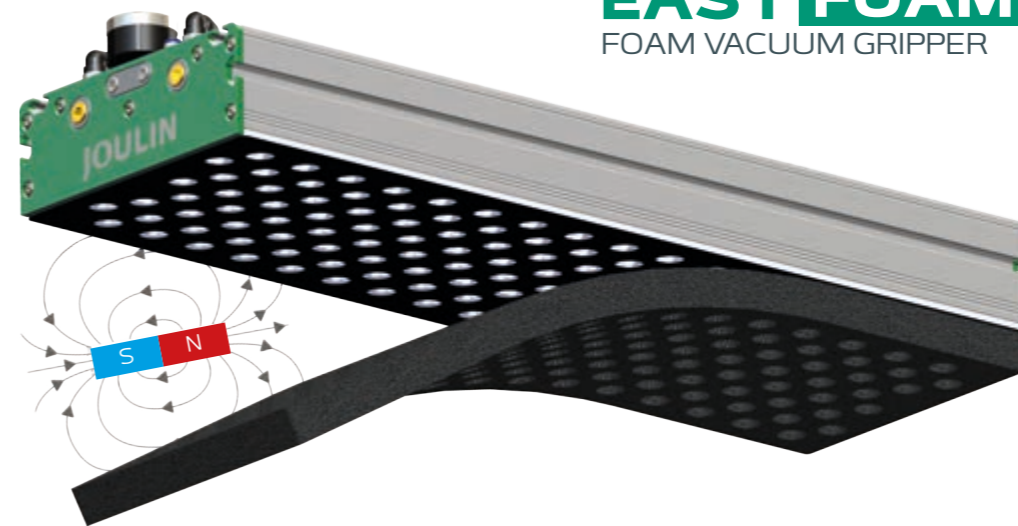
- Different thicknesses
- Different patterns
- Better foam adhesive performance
- Water jet
- **Quick delivery**

Standard or custom production



Quick foam changing

EASY FOAM
FOAM VACUUM GRIPPER



New ultra quick foam changing system:
EasyFoam

Interchangeable support plates
for quick change of foam.

CONCEPT

- Fast and easy removal of foam from the gripper
- Easy to install on existing gripper(s)
- Reduces maintenance time and cost
- No adhesive to remove at foam change

BENEFITS

- Easy access to the gripper for maintenance and cleaning
- Can be removed/replaced an unlimited number of times
- Independent filter for dusty environments

EASY TO ADAPT

- Adaptable to all brands of existing grippers
- All foam styles / brands
- Easily clean and replace the filter by removing the magnetic foam

zoom in...

Spare parts

For each JOULIN vacuum gripper, we stock all the spare parts (wear and maintenance) you need to maintain it.



HOSE



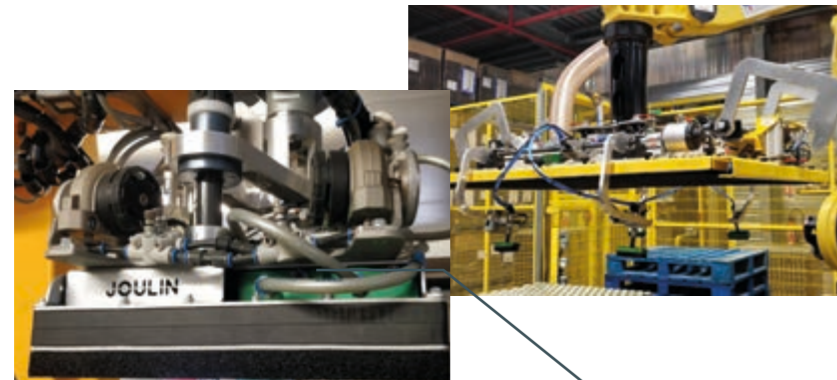
SEAL



VACUUM GENERATORS



Why use our solutions ?



Standard and Custom

Economical standard range.
Multiple options.
The experience of customization.



Reliable partner

Dedicated consulting engineer.
Study and production 100% in-house Commercial reactivity and after-sales service.



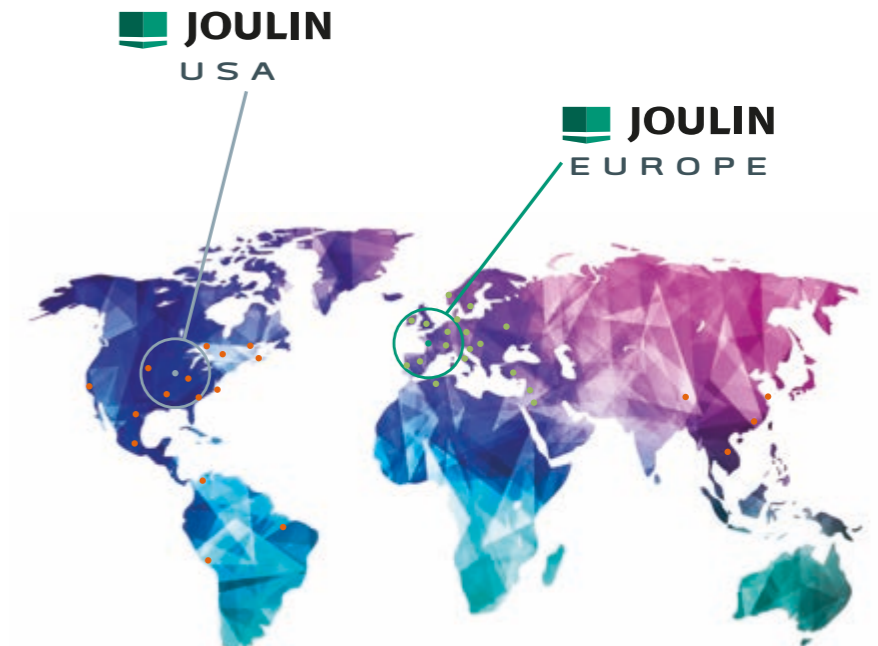
Consulting and Services

Family owned Requirement of result Customer satisfaction.



A partner at your side

Family owned, founded 60 years ago, we develop long-term relationships with our customers. Our agile organization and industrial sites in France and the USA allow us to adapt and answer to the specificities of your needs. Our values, practiced daily, are **reliability, professionalism and proactivity.**



Proximity

Manufacturing and design facilities in Europe and the USA.
Supplied on 5 continents.



Technology

Patented **Wave System™**.
Not sensitive to dust or debris **50% energy saving.**



Experience

More than **60 years of experience Worldwide references.**





USA

2551 Hwy 70 SW - HICKORY
NC-28602

Phone : **+(1) 828 327 2290**
Fax : **+(1) 828 327 8678**

France

17 avenue des Grenots
F-91150 ETAMPES

Tél. **+33 (0)1 69 92 16 16**
Fax **+33 (0)1 64 94 21 35**



contact : grippers@joulin.com
www.joulin.com