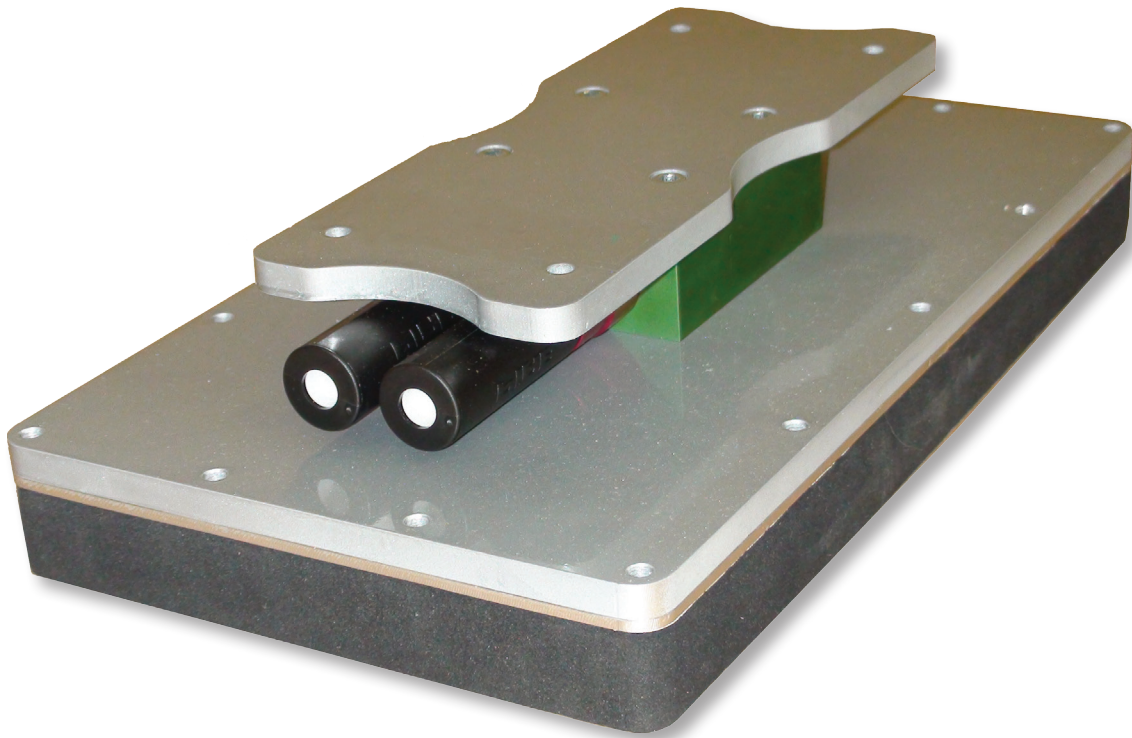


JOULIN



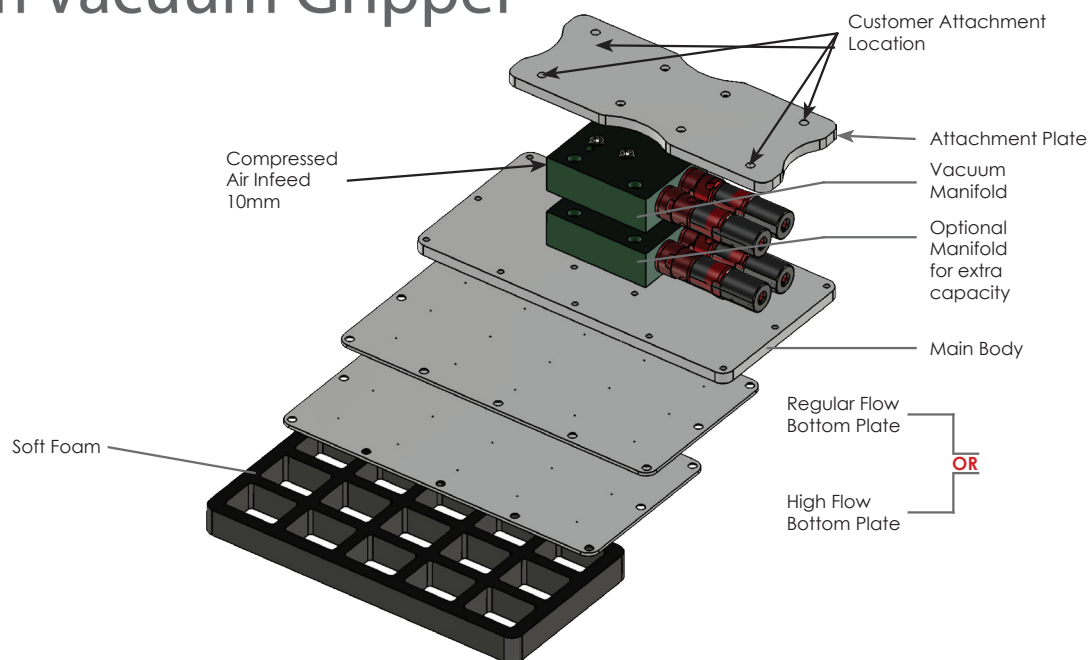
VALUEGRIPPER

Foam Vacuum Gripper

Easy
to manufacture
to fit your needs

VALUEGRIPPER

Foam Vacuum Gripper



VL-

Range of the gripper

PG

Technology :
- PG = Port Gripper

100x250

Dimensions :
- 100x250 mm
- 150x300 mm
- 200x350 mm
- 250x400 mm

-REG

Flow :
- REG = Regular
- HG = High

-2STX2

Integrated Vacuum Source :
- 1ST
- 2ST
- PLUG
- HB = Hose Barb
- XB = External Barb

concept

- Twisted and uneven products
- Very economical compared with all other tools
- Vacuum source included (ejectors)
- 80% minimum coverage*

benefits

- Ready to install (self-contained)
- Quick pick and release
- Simple to use
- Low maintenance
- Tilt from horizontal to vertical

easy to customize

- Easy and inexpensive to manufacture to fit your needs
- Zoning possible
- Lifting power easy to adjust by foam and ejector choice
- Number and size of the foam openings upon adjustable request

* depends on products

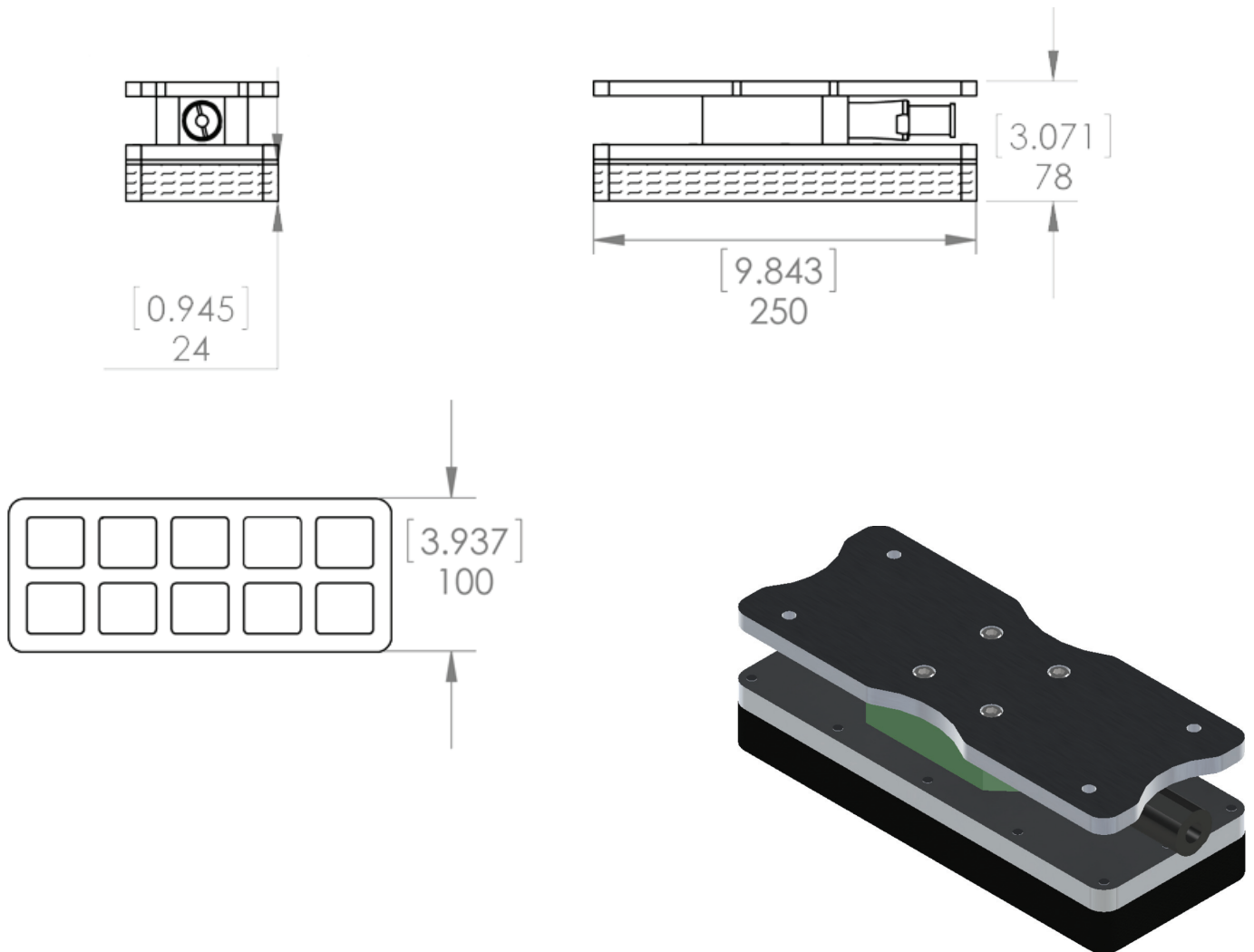
Click here or flash this code to see the video !



VALUEGRIPPER

100 x 250

Foam Vacuum Gripper



	Holding Force N(Lbs)*		
	20% Vacuum	40% Vacuum	60% Vacuum
Non-porous ...like steel	141(31.09)	288(63.49)	431(95.02)
Semi-porous ...like wood	137(30.2)	261(57.54)	385(84.88)
Porous ...like cardboard	96(21.16)	155(34.17)	219(48.28)

80% coverage is recommended for PG Grippers - *fully covered, safety factor 1.5 already applied

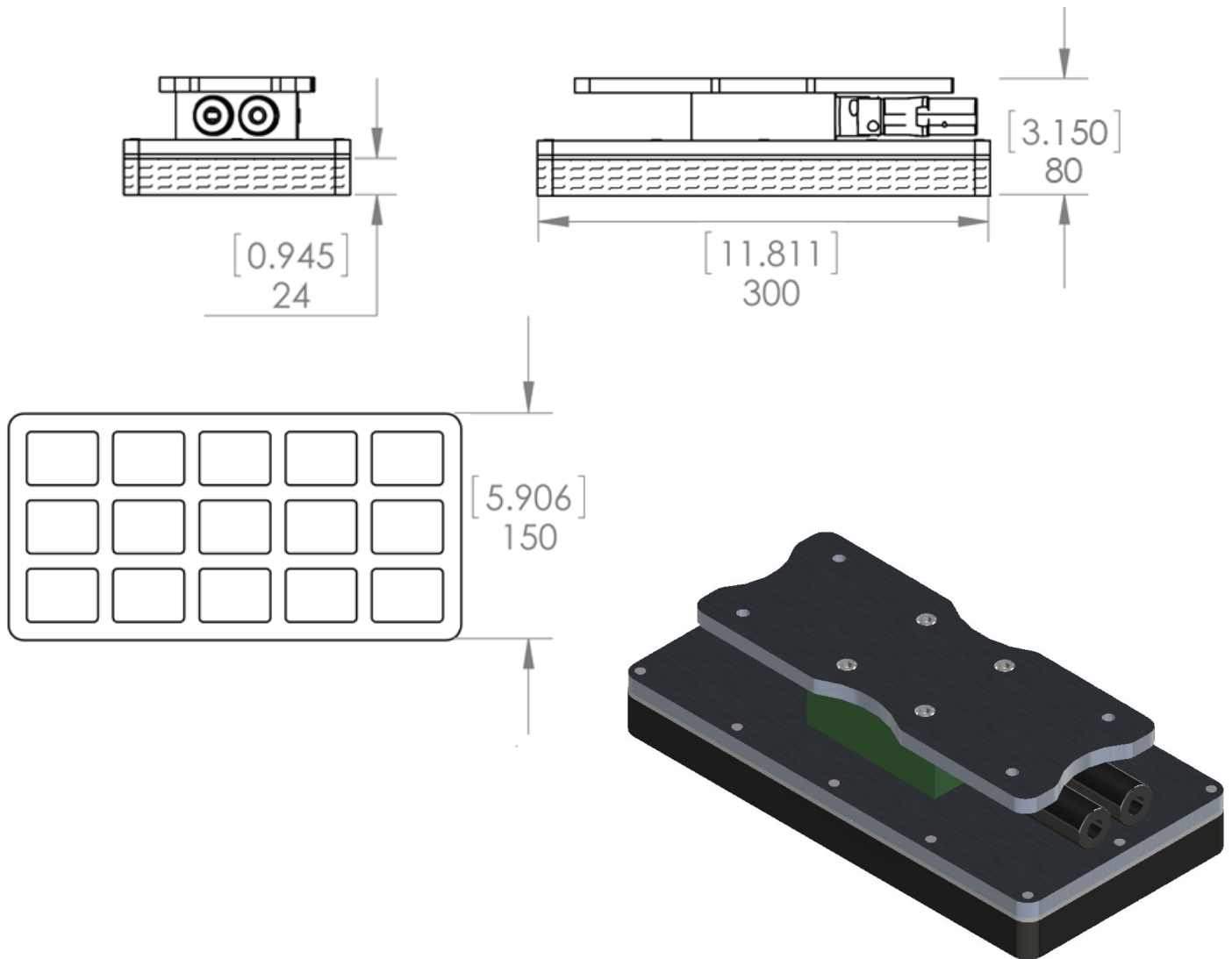
	Technical Data			Replaceable Parts	
	Air Consumption NI/sec(scfm)	Max Flow NI/sec(scfm)	Weight Kg(Lbs)	Foam Pad	Vacuum Generator
VL-PG100x250-REG-1ST	1.75(3.71)	3.3(6.99)	1.55(3.42)	PGF100.250	PPMS

specifications are subject to change

VALUEGRIPPER

150 x 300

Foam Vacuum Gripper



	Holding Force N(Lbs)*		
	20% Vacuum	40% Vacuum	60% Vacuum
Non-porous ...like steel	293(64.6)	597(131.62)	894(197.09)
Semi-porous ...like wood	283(62.39)	589(129.85)	872(192.24)
Porous ...like cardboard	199(43.87)	321(70.77)	442(97.44)

80% coverage is recommended for PG Grippers - *fully covered, safety factor 1.5 already applied

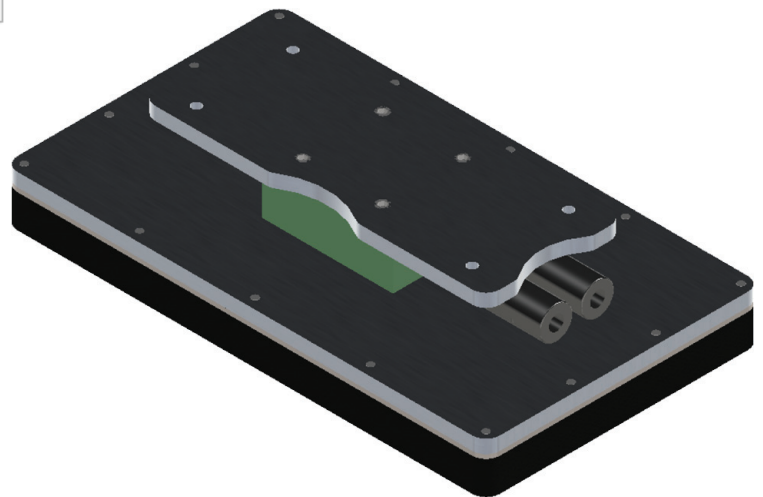
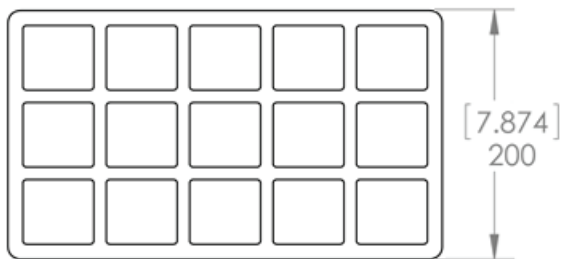
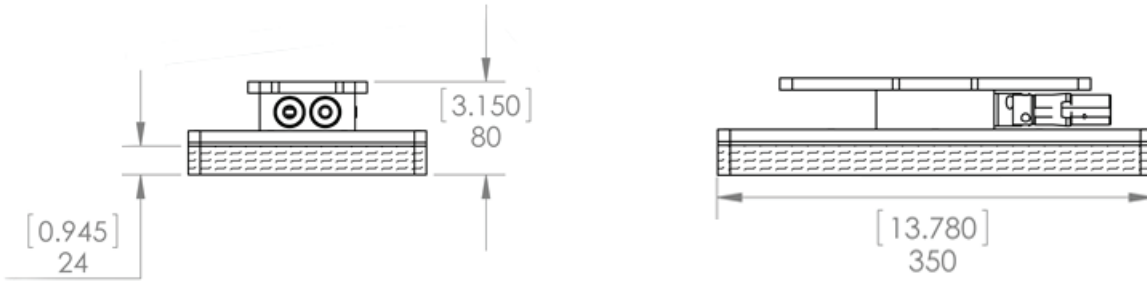
	Technical Data			Replaceable Parts	
	Air Consumption NI/sec(scfm)	Max Flow NI/sec(scfm)	Weight Kg(Lbs)	Foam Pad	Vacuum Generator
VL-PG150X300-REG-1STX2	3.5(7.42)	6.6(13.98)	3.2(7.05)	PGF150.300	PPMD
VL-PG150x300-REG-1STX3	5.25(11.1)	9.9(20.97)	4.2(9.25)	PGF150.300	2 x PPMD
VL-PG150x300-REG-1STX4	7(14.84)	13.2(27.96)	4.2(9.25)	PGF150.300	2 x PPMD

specifications are subject to change

VALUEGRIPPER

200 x 350

Foam Vacuum Gripper



	Holding Force N(Lbs)*		
	20% Vacuum	40% Vacuum	60% Vacuum
Non-porous ...like steel	597(131.62)	1289(284.18)	1785(393.52)
Semi-porous ...like wood	504(111.11)	1146(252.65)	1729(381.18)
Porous ...like cardboard	382(84.22)	631(139.11)	685(151.02)

80% coverage is recommended for PG Grippers - *fully covered, safety factor 1.5 already applied

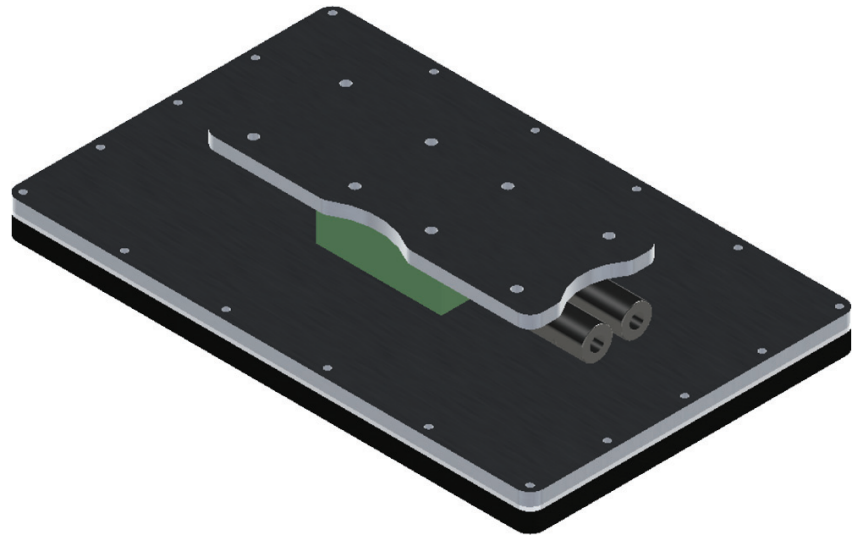
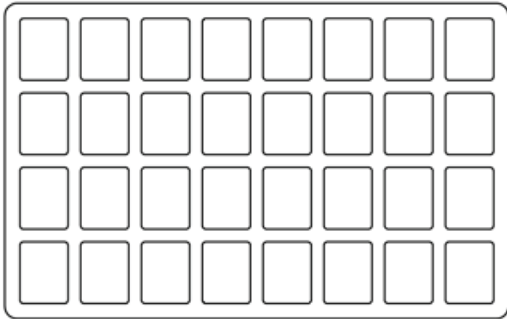
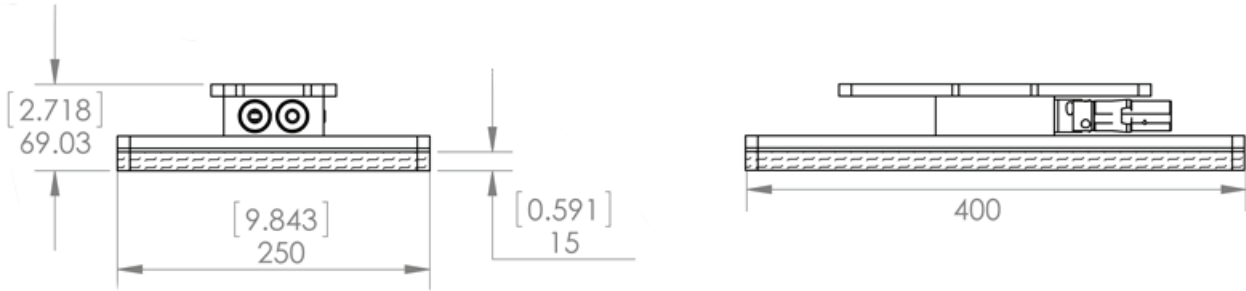
	Technical Data			Replaceable Parts	
	Air Consumption NI/sec(scfm)	Max Flow NI/sec(scfm)	Weight Kg(Lbs)	Foam Pad	Vacuum Generator
VL-PG200x350-REG-1STX2	3.5(7.42)	6.6(13.98)	4.65(10.25)	PGF200.350	PPMD2
VL-PG200x350-REG-1STX3	5.25(11.1)	9.9(20.97)	5.65(12.45)	PGF200.350	2 x PPMD
VL-PG200x350-REG-1STX4	7(14.84)	13.2(27.96)	5.65(12.45)	PGF200.350	2 x PPMD

specifications are subject to change

VALUEGRIPPER

250 x 400

Foam Vacuum Gripper



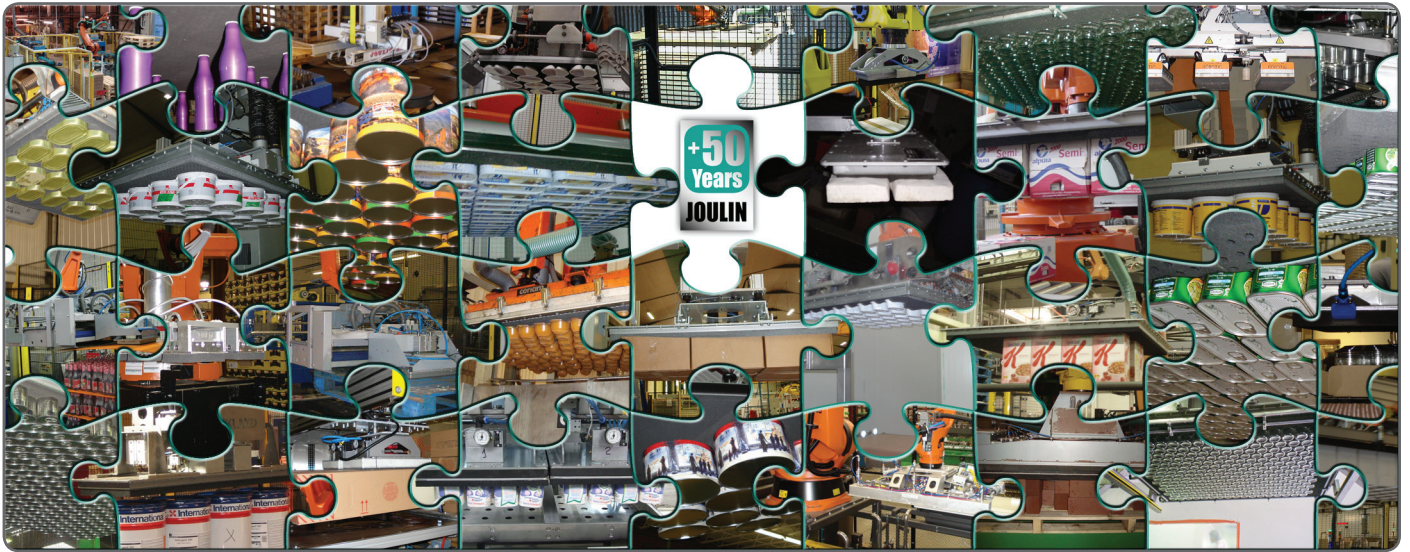
	Holding Force N(Lbs)*		
	20% Vacuum	40% Vacuum	60% Vacuum
Non-porous ...like steel	707(155.87)	1529(337.09)	2117(466.72)
Semi-porous ...like wood	598(131.83)	1470(324.08)	2035(448.64)
Porous ...like cardboard	453(99.87)	748(164.9)	812(179.02)

80% coverage is recommended for PG Grippers - *fully covered, safety factor 1.5 already applied

	Technical Data			Replaceable Parts	
	Air Consumption NI/sec(scfm)	Max Flow NI/sec(scfm)	Weight Kg(Lbs)	Foam Pad	Vacuum Generator
VL-PG250x400-REG-1STX2	3.5(7.42)	6.6(13.98)	4.65(10.25)	PGF250.400	PPMD
VL-PG250x400-REG-1STX3	5.25(11.1)	9.9(20.97)	5.65(12.45)	PGF250.400	2 x PPMD
VL-PG250x400-REG-1STX4	7(14.84)	13.2(27.96)	5.65(12.45)	PGF250.400	2 x PPMD

specifications are subject to change

JOULIN



USA :

2551 Hwy 70 West
HICKORY - NC 28602
Phone : +(001)828 327 2290
Fax : +(001)828 327 8678



<http://www.joulin.com>

Europe :

17 avenue des Grenots
F-91150 ETAMPES
Phone : +33 (0)1 69 92 16 16
Fax : +33 (0)1 64 94 21 35

E-mail : grippers@joulin.com

Have a problem handling your products ?

Team Joulin has 50 years of Research and Development resulting in better solutions, more options, and vacuum systems offering greater flexibility than ever before.