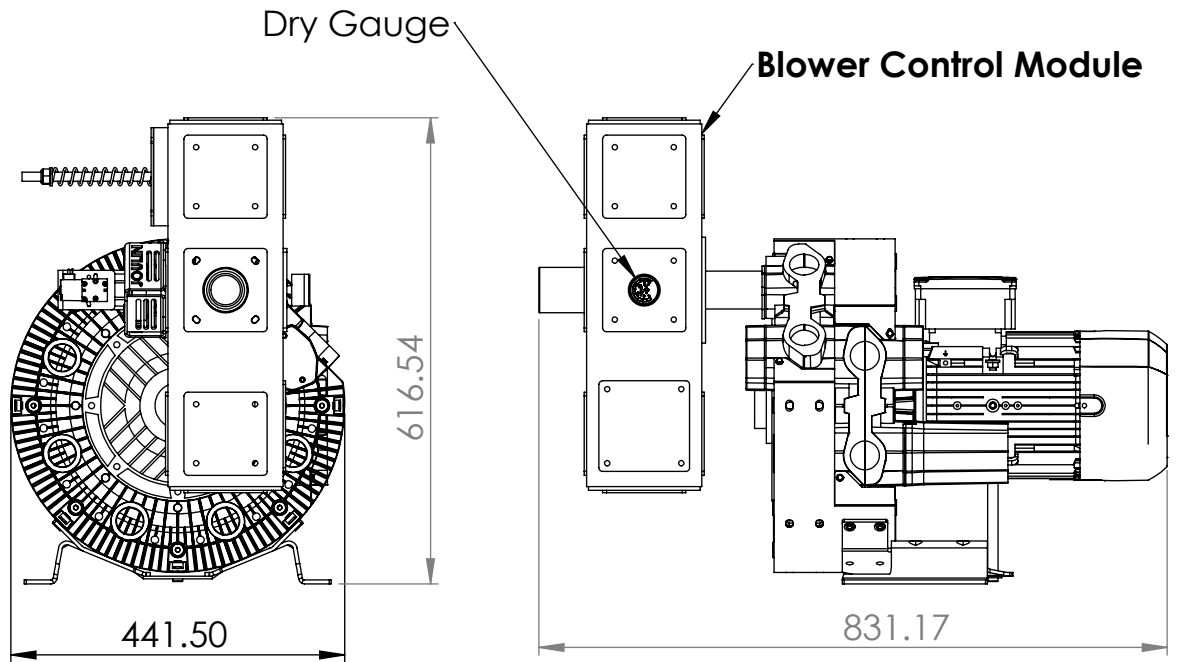
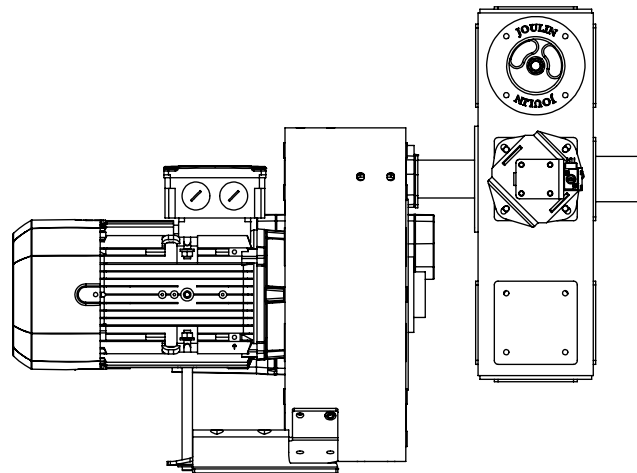
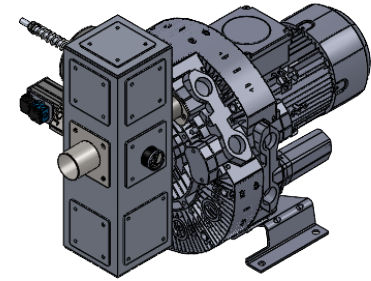
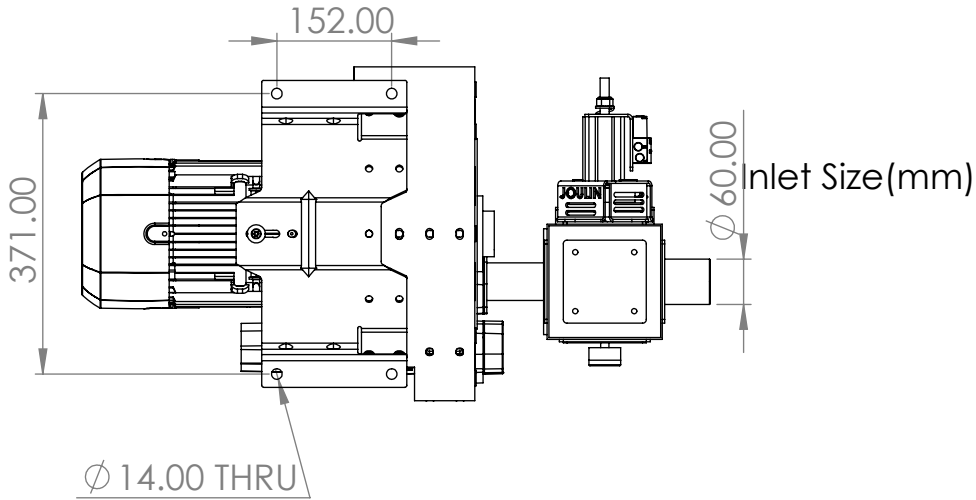


Mounting Pattern (Foot)



Frequency [Hz]	Phase	Rated Motor Power [kW]	Max Vacuum [mbar]	Input voltage [V]	Input Motor Current [A]	Flow at zero Vacuum [m3/h]	Sound pressure level Db [A]	Weight kg [Lb]	Weight kg [Lb] w/ BCM
Reference : 2BH7620-0AK26-2 / PN : 0000.033.000.004 - Assembly Reference (Includes BCM) : 0000.033.001.005									
50	3	3.5	-570	Δ	220-240	11.6	68	59 [130]	66.5 [146]
				Y	380-420	6.5			
60	3	4	-510	YY	220-240	13.2	72		
				Y	440-480	6.6			



Scale: 1:15

Rev:

