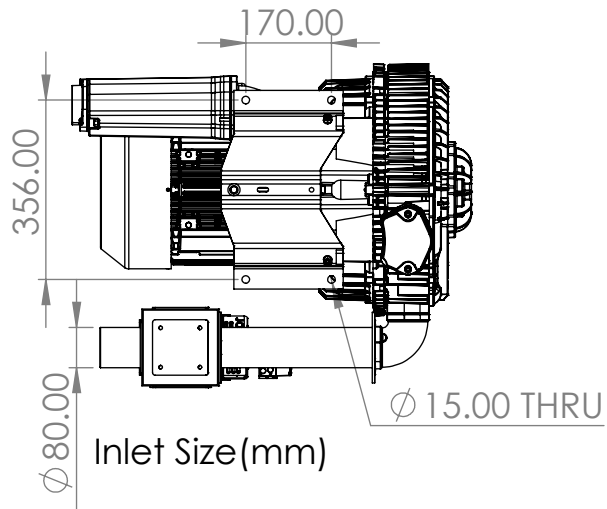
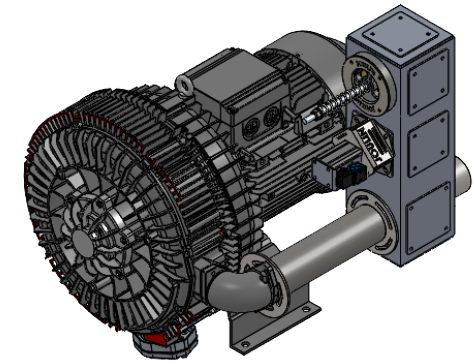
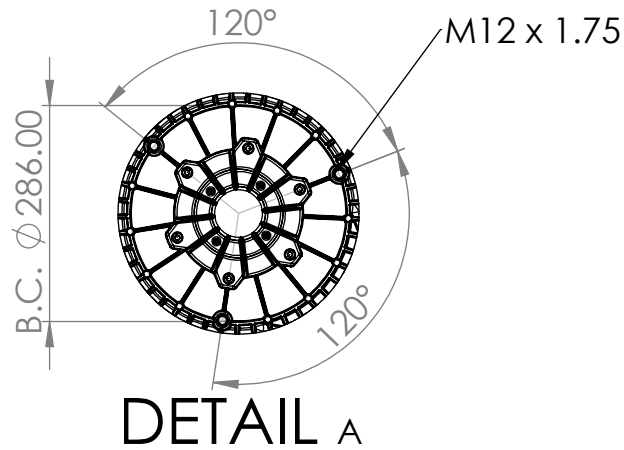


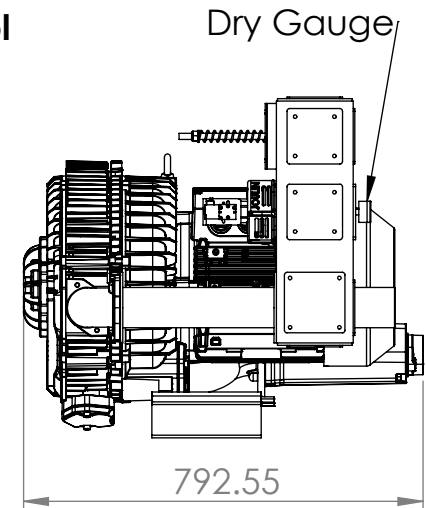
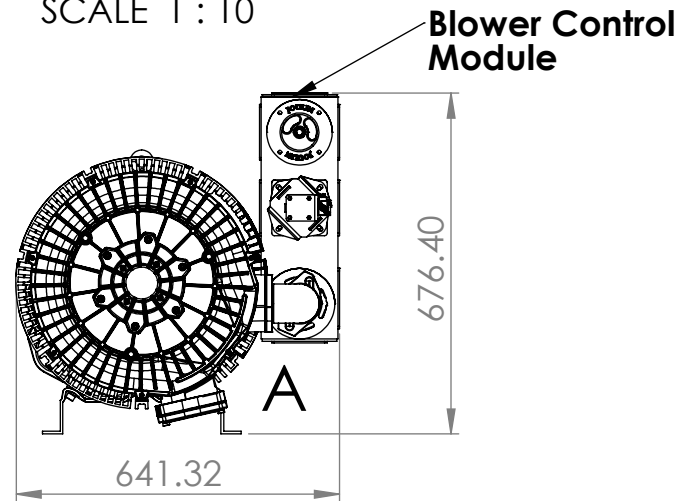
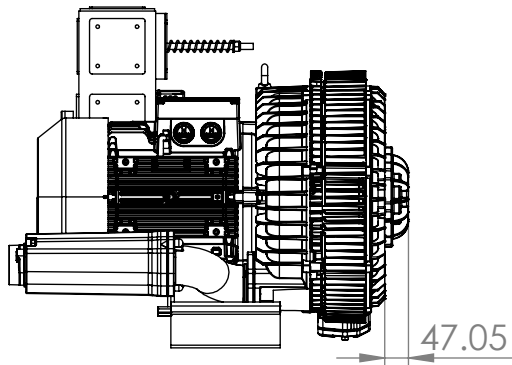
### Mounting Pattern (Foot)



### Mounting Pattern (Face)



SCALE 1 : 10



Frequency [Hz]	Phase	Rated Motor Power [kW]	Max Vacuum [mbar]	Input voltage [V]	Input current [A]	Flow at zero Vacuum [m3/h]	Sound pressure level Db [A]	Weight kg [Lb]	Weight kg [Lb] w/BCM
<b>Reference : HRC1102 / PN : 0000.035.000.017 - Assembly Reference (Includes BCM) : 0000.036.001.006</b>									
50	3	11	-430	Δ Δ 190 Δ 380	48.5 28	520	74	104[230]	112.5 [248]
60	3	12.6	-460	Δ Δ 230 Δ 460	65 32.5	620	78		
<b>Reference : HRC1102-575 / PN : 0000.035.000.018 - Assembly Reference (Includes BCM) : 0000.036.001.008</b>									
50	3	11	-430	Δ 277 Y 480	36.9 21.3	520	74	104[230]	112.5 [248]
60	3	12.6	-460	Δ 332 Y 575	35.6 20.5	620	78		



Scale: 1:15

Rev:

