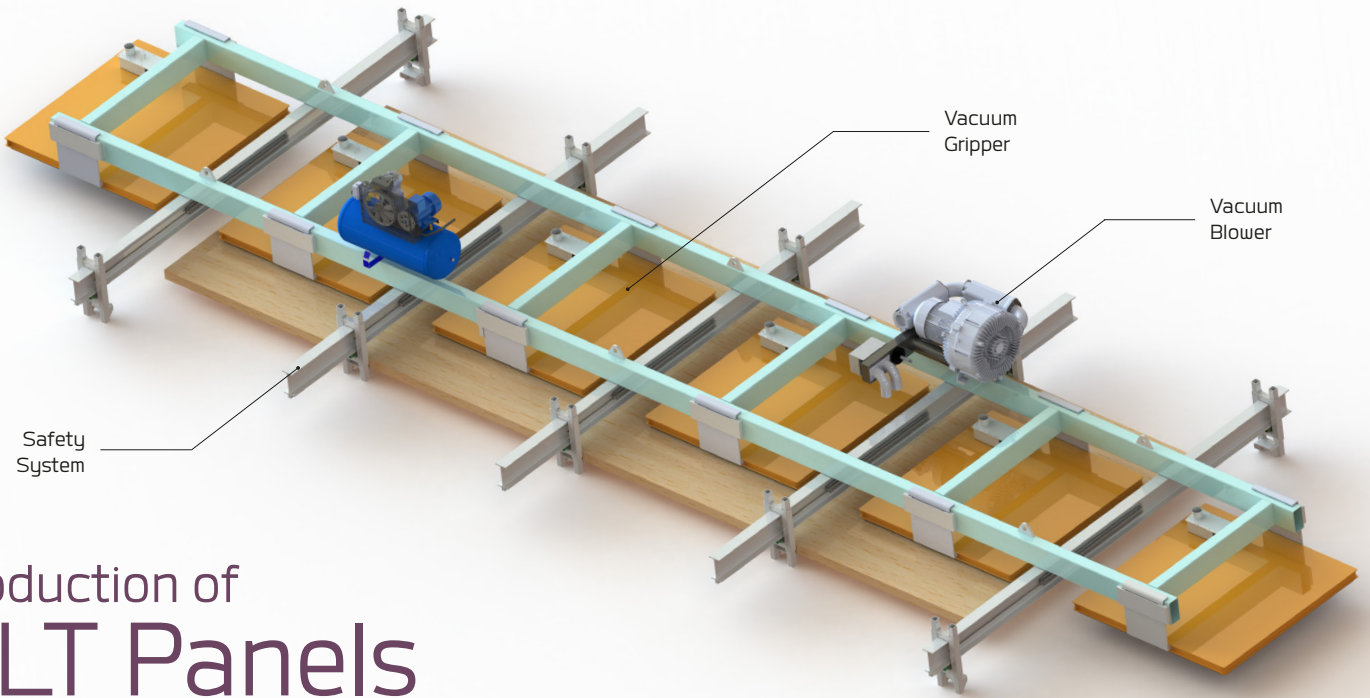




CLT Production

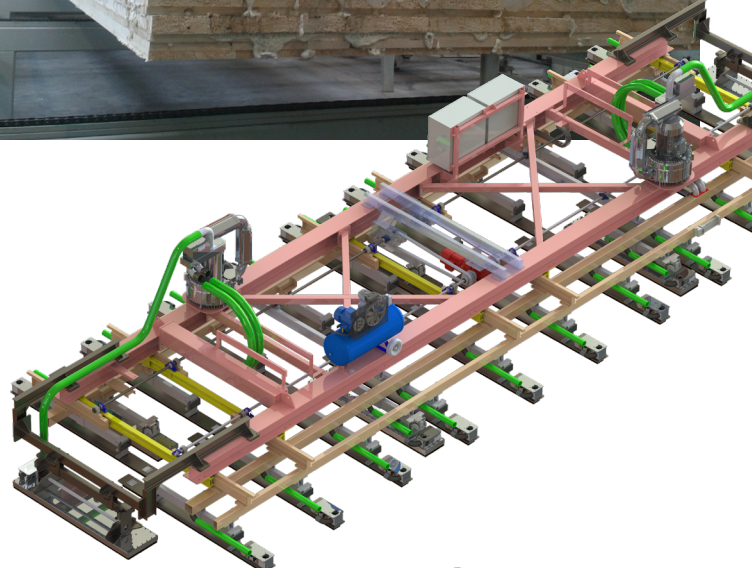


Production of CLT Panels

CONCEPT

JOULIN AERO, the world leader in vacuum handling systems for over 50 years, proposes innovative solutions for all your handling needs:

- Device to be **suspended under crane**.
- Lifting of **panels till 10 tons**.
- (De)Stacking of **long layers and cross layers till 16x3,6m**.



Innovative solutions for your handling projects

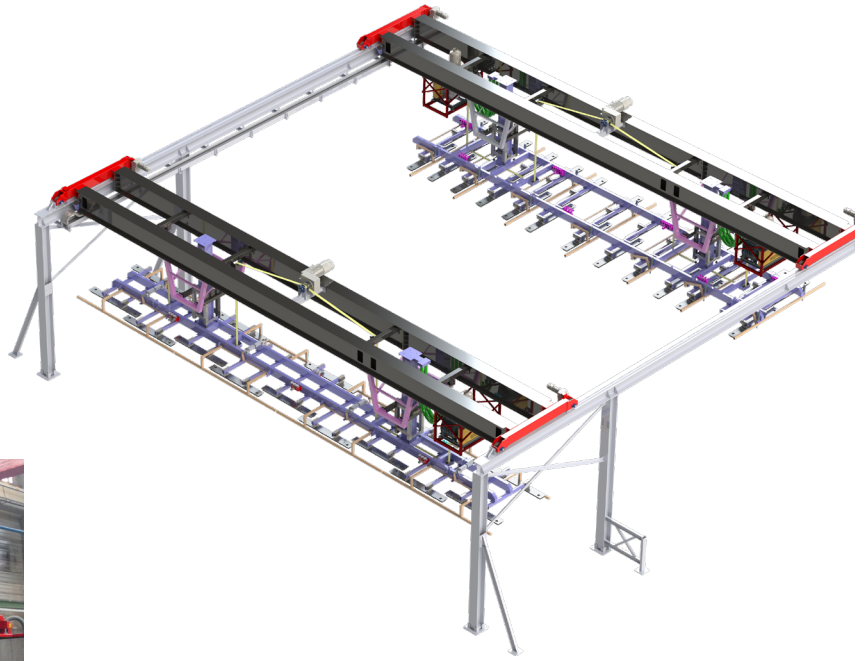
Production of CLT Panels

Customized handling solutions.

Joulin offers systems from the most simple to the most advanced, according to your needs and your budget.

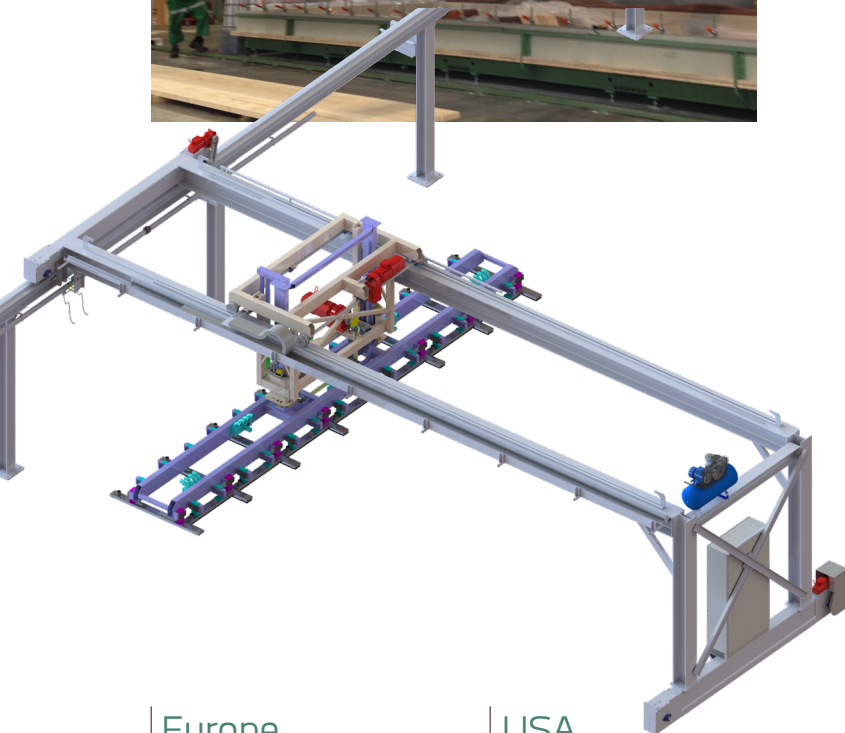
More options

- Mobile frameworks
- Wide range of manipulators: from simple and quick to advanced systems.



Benefits

- Designed and manufactured in-house.
- Many options available.
- Easy to install and use.



Europe

17 avenue des Grenots
91150 ETAMPES - FRANCE

Tél. +33 (0)1 69 92 16 16
Fax +33 (0)1 64 94 21 35

USA

2551 HWY 70 SW - HICKORY
NC-28602

Phone: +1(828) 327 2290
Fax: +1(828) 327 8678



JOULIN
vacuum handling

contact: wood@joulin.com

www.joulin.com