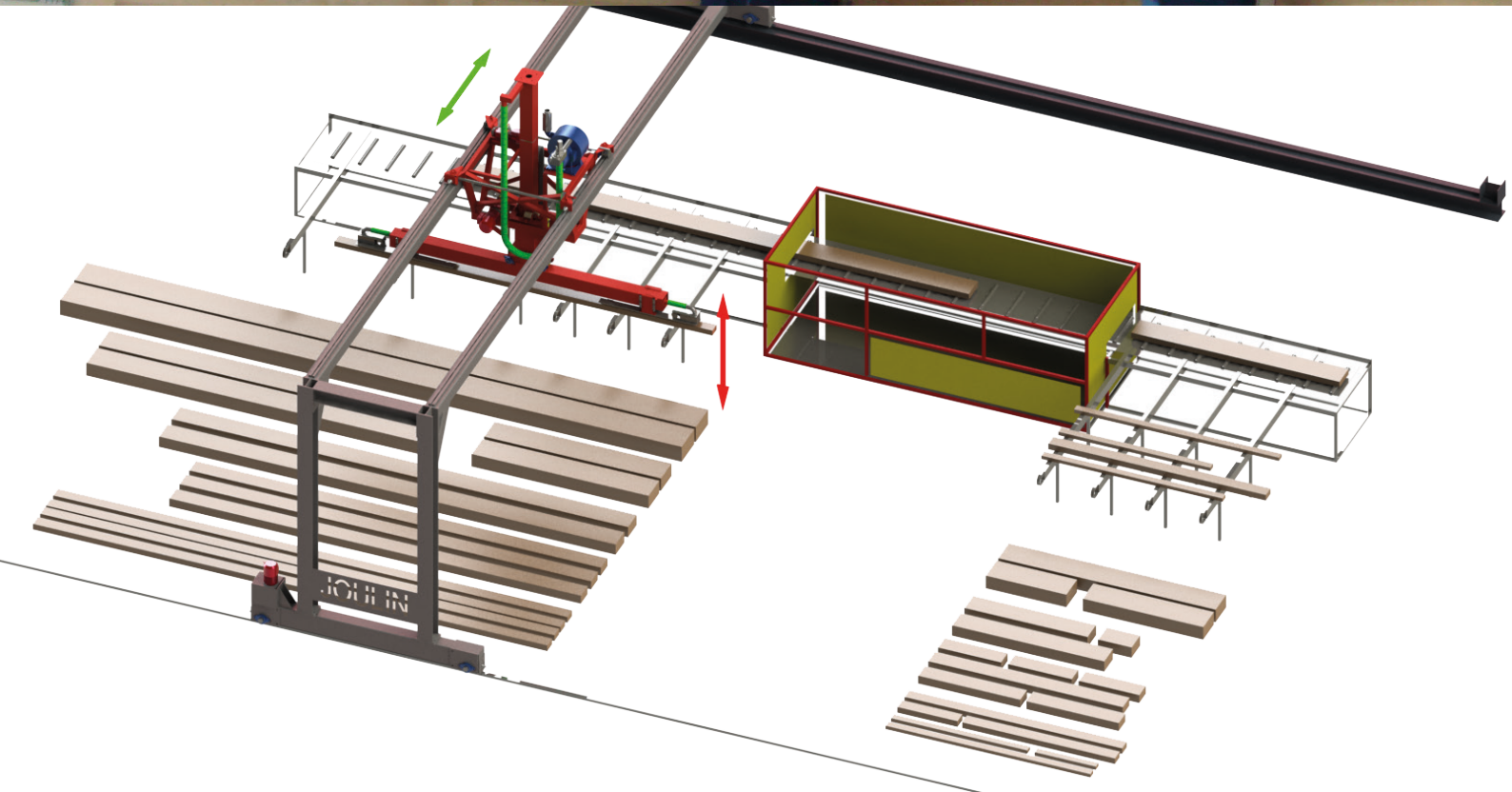




Log home parts

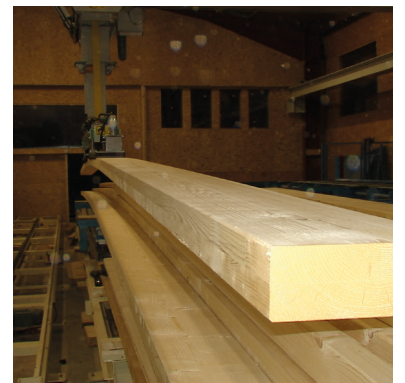


Loading/unloading a CNC and log home parts

CONCEPT

JOULIN AERO, a world leading specialist in vacuum handling systems for over 50 years, proposing innovative solutions for all your handling needs:

- Allows optimization of CNC for increased productivity and profitability.
- Handling full layers as well as individual parts to over 13m long if needed
- No more laborious job of the handling parts.



Innovative solutions for your handling projects

Loading / unloading a CNC router and log home parts

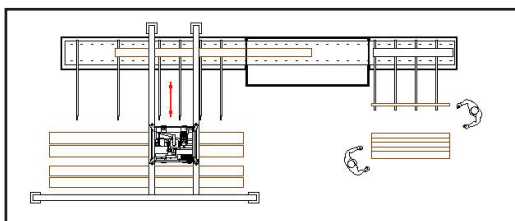
Customized handling solution.

Joulin offers systems from the simplest to the most advanced, according to your needs and your budget.

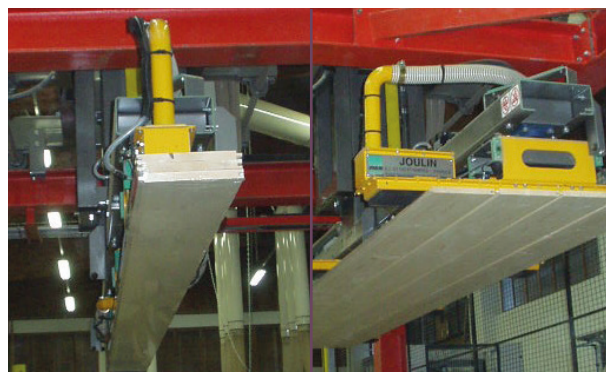
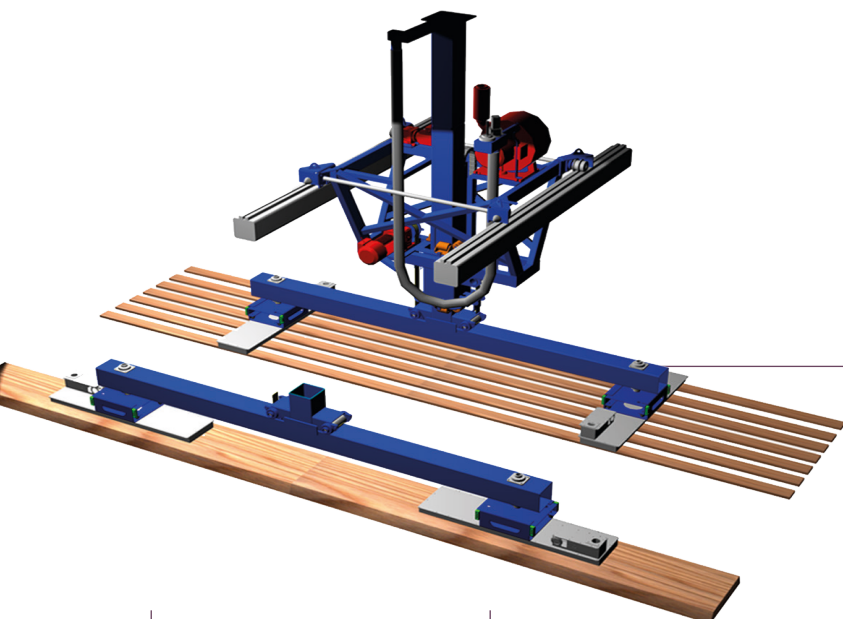
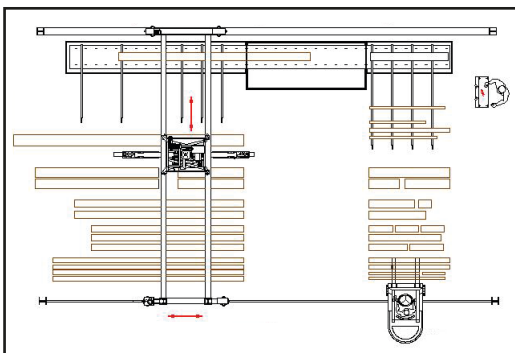
Applications

- Handling of entire layers and/or single beams while rotating grippers 90°.
- Handles full panels to small finished parts.
- Pick and place products in multiple positions.
- No more laborious job of handling the parts.

Example of a basic destacker to load a CNC



Example of stacker/destacker to load/unload a CNC



Handling of entire layers and/or single beams while rotating grippers 90°



Example of remote radio control

Europe

17 avenue des Grenots
91150 ETAMPES - FRANCE

Tél. +33 (0)1 69 92 16 16
Fax +33 (0)1 64 94 21 35

USA

2551 HWY 70 SW - HICKORY
NC-28602

Phone: +(1)828 327 2290
Fax: +(1)828 327 8678



contact: wood@joulin.com

www.joulin.com